



Installation, Startup and Maintenance Manual

A Series Inverter Modular Air-cooled Chiller (Heat Pump)

CH-HP35UIMRM

CH-HP65UIMRM

CH-HP137UIMRM

Thank you for choosing commercial air conditioners. Please read this Owner's Manual carefully before operation and retain it for future reference.



To users

Thank you for selecting C&H's product. Please read this instruction manual carefully before installing and using the product, so as to master and correctly use the product. In order to guide you to correctly install and use our product and achieve expected operating effect, we hereby instruct as below:

- (1) This equipment should be installed, operated or maintained by the qualified servicemen who have had specific training. During operation, all safety issues covered in the labels, User's Manual and other literature should be followed strictly. This equipment is not intended for use by persons (including children) with reduced physical, sensory or mental capabilities, or lack of experience and knowledge, unless they have been given supervision or instruction concerning use of the appliance by a person responsible for their safety. Children should be supervised to ensure that they do not play with the appliance.
- (2) This product has gone through strict inspection and operational test before leaving the factory. In order to avoid damage due to improper disassembly and inspection, which may impact the normal operation of unit, please do not disassemble the unit by yourself. You can contact our designated dealer or local service center for professional support if necessary.
- (3) When the product is faulted and cannot be operated, please contact our designated dealer or local service center as soon as possible by providing the following information.
 - 1) Contents of nameplate of product (model, cooling/heating capacity, product No., ex-factory date).
 - 2) Malfunction status (specify the situations before and after the error occurs).
- (4) All the illustrations and information in the instruction manual are only for reference. In order to make the product better, we will continuously conduct improvement and innovation without further notice.

Contents

Safety notices (Please be sure to abide).....	1
1 General introduction	6
1.1 Product features	6
1.2 Principle diagrams	7
2 Operation range	10
3 Outline dimensions	10
4 Installation instructions.....	12
4.1 Pre-check.....	12
4.2 Acceptance check	12
4.3 Handling and lifting	12
4.4 Installation foundation and service space	13
4.5 Vibration reduction	16
4.6 Removal of glands on rubber pads before compressor startup	16
4.7 Installation of the water system.....	17
5 Introduction to the display panel	19
6 Electric wiring.....	19
6.1 External wiring of the electric control cabinet.....	19
6.2 Specification of power supply.....	24
6.3 Wiring of the electric control cabinet	24
6.4 Filed wiring.....	26
6.5 Networking and wiring between units.....	28
6.6 Setup of DIP switches on the motherboard	30
6.7 Jumpers	31
7 Commissioning and maintenance	31
7.1 Check before startup.....	31
7.2 Requirements on water quality and cleaning	31
7.3 Trial run.....	33
7.4 Routine startup/shutdown	33
7.5 Maintenance to the main parts.....	34
7.6 Maintenance during long-term downtime	34
7.7 Startup after long-term shutdown.....	34
7.8 Parts replacement.....	34

7.9 Safety operation of flammable refrigerant	35
7.10 Refrigerant charging	36
7.11 Removal of the compressor	36
7.12 Freeze protection	37
7.13 Routine maintenance	37
7.14 Precautions	38
8 Troubleshooting and after-sales service.....	43
8.1 Troubleshooting measures.....	43
8.2 After-sales service	45
Appendix A: Inspection records prior to commissioning	46
Appendix B: Trial run and commissioning records	47

Safety notices (Please be sure to abide)



WARNING: If not abide strictly, it may cause severe damage to the unit or the people.



NOTE: If not abide strictly, it may cause slight or medium damage to the unit or the people.



This sign indicates that the operation must be prohibited. Improper operation may cause severe damage or death to people.



This sign indicates that the items must be observed. Improper operation may cause damage to people or property.



Appliance filled with flammable gas R32.



Before use the appliance, read the owner's manual first.



Before install the appliance, read the installation manual first.



Before repair the appliance, read the service manual first.



WARNING

- Appliance filled with flammable gas R32. For repairs, strictly follow manufacturer's instructions only. Be aware that refrigerants not contain odour. Read specialist's manual.
- Do not use means to accelerate the defrosting process or to clean, other than those recommended by the manufacturer. Should repair be necessary, contact your nearest authorized service centre. Any repairs carried out by unqualified personnel may be dangerous. The appliance shall be stored in a room without continuous operating ignition sources. (For example: open flames, an operating gas appliance or an operating electric heater.) Do not pierce or burn.
- Do not install the unit indoors but outdoors with adequate ventilation.
- If a stationary appliance is not fitted with a supply cord and a plug, or with other means for disconnection from the supply mains having a contact separation in all poles that provides full disconnection under overvoltage category III conditions, the instructions shall state that means for disconnection must be incorporated in the fixed wiring in accordance with the wiring rules.
- The appliance shall be stored in a room without continuously operating open flames (for example an operating gas appliance) and ignition sources (such as an operating electric heater).
- The appliance shall be stored so as to prevent mechanical damage from occurring. Do not weld or cut any pipe, evaporator or condenser etc. when there is refrigerant inside the unit.
- Compliance with national gas regulations shall be observed. Only qualified electricians are allowed to operate the high-voltage devices.
- Keep ventilation openings clear of obstruction.
- Any person who is involved with working on or breaking into a refrigerant circuit should hold a current valid certificate from an industry-accredited assessment authority, which authorises their competence to handle refrigerants safely in accordance with an industry recognised assessment specification.
- Servicing shall only be performed as recommended by the equipment manufacturer. Maintenance and repair requiring the assistance of other skilled personnel shall be carried out under the supervision of the person competent in the use of flammable refrigerants.

 **NOTE**

- To realize the function of the air conditioner unit, a special refrigerant circulates in the system. The used refrigerant is the fluoride R32, which is specially cleaned. The refrigerant is flammable and inodorous. Furthermore, it can lead to explosion under certain conditions.
- Compared to common refrigerants, R32 is a nonpolluting refrigerant with no harm to the ozoneosphere. The influence upon the greenhouse effect is also lower. R32 has got very good thermodynamic features which lead to a really high energy efficiency. The units therefore need a less filling.
- Before installation, please check if the adopted power is accordance with that listed on nameplate, and check the safety of power.
- The unit shall contact with the supply mains by a full disconnection device under overvoltage category III .
- Before using, please check and confirm if wires and water pipes are connected correctly to avoid water leakage, electric shock or fire etc.
- Don't directly expose the unit under the corrosive ambient with water or dampness.
- Never press the button with sharp objects to protect manual controller. Never use other wires instead of special communication line of the unit to protect control elements. Never clean the manual controller with benzene, thinner or chemical cloth to avoid fading of surface and failure of elements. Clean the unit with the cloth soaked in neutral eradicator. Slightly clean the display screen and connecting parts to avoid fading.
- The power supply line must be separated with the communication line.

◆ Safety notices for on-site installation

 **WARNING**

- Installation should be performed by qualified servicemen who have taken specialized training and acquired corresponding certificates in accordance with relative laws, regulations and this manual, otherwise it would lead to damage to the unit, water leakage, electrocution, or fire hazards etc.
- The unit should be installed on the smooth foundation capable of supporting the unit and fixed with screw bolts. The foundation with inadequate strength would lead to leakage, turn-over or personal injury or death.
- Special lines should be used for electric installation by qualified electricians. Lines with inadequate capacity would lead to electrocution or fire hazards.
- Make sure each connector is properly tightened; otherwise it would lead to overtemperature or fire hazards etc.
- When installation is finished, please check for the drainage lines, pipelines, and electric lines to prevent water leakage, electrocution or fire hazards.
- The appliance is intended to be permanently connected to the water mains and not connected by a hose-set.
- This equipment should be installed where the drainage system can work well. Never block the drain hole. Improper drainage system would lead to drainage difficulty and make the unit suffer from malfunctions.
- When there is something unusual (like stinky smell) during installation or commissioning, please cut off the main power at once and then contact the aftersales service center. This ongoing unusual condition will damage the air conditioning unit and lead to electrocution or fire hazards.
- When refrigerant leaks, take corrective measures as soon as possible to prevent oxygen depletion by increased refrigerant concentration.

 **NOTE**

- Do not install the unit where there is high-intensity magnetic field or it is highly basic or acid or the voltage is quietly unstable.
- Do not install the unit where there would be leaked inflammable gas, as it would lead to fire hazards.
- The outer casing of the unit should be grounded. Do not connect the grounding line to the gas line, water line, lightning rod or communication line, otherwise it would lead to electric shocks.
- The appliance shall be installed in accordance with national wiring regulations, the appliance shall be disconnected from its power source during service and when replacing parts.
- Do not stand on the unit or place other object on it.
- Do not insert fingers or other objects into the outlet grill to prevent damage to the unit or personal injury or death.
- Do not start or stop the unit by inserting or drawing out the power plug.
- Do not let children play with this unit.
- The unit should be equipped with the leakage protector which should be installed in accordance with electric technical standards. Uninstallation or incorrect installation would lead to electrocution. Do electric leakage detection after electric installation is finished.
- Volatile liquid like thinner or gasoline would damage appearance of the unit. (Only clean the outer casing with of the unit with soft dry cloth or wet cloth with neutral detergent.

 **DANGER**

- Do not install the unit where conditions are severe, where it is close to the hot spring, coast or oil field, as it would lead to corrosion, electrocution or fire hazards. Besides, do not install the unit where there are corrosive, inflammable substances or smog, otherwise it would lead to normal operation failure, shortened service life, fire hazard, or severe injury.
- Do not start the compressor by manually closing the AC contactor, otherwise it would lead to electrocution or fire hazard.
- Do not misuse refrigerant, as it would lead to normal operation failure, unsatisfactory performance, fire hazards or even explosion etc.

 **CAUTION**

- Installation should be done in accordance with this manual. Please read it manually prior to startup or troubleshooting.
- Installation should be done by qualified servicemen, as incorrect installation would lead to water leakage, electrocution or fire hazards etc.
- Before installation, check for all power supplies with the nameplate and check for its safety.
- The unit should be grounded and there should be specialized grounding line for the power socket to avoid of electrocution. Do not connect the grounding line to the gas tank, water line, lightning rod, or telephone line.
- Only specialized accessories and parts are allowed for installation, otherwise it would lead to water leakage, electrocution or fire hazards etc.
- Size of the power lines should be large enough. Only specialized power lines are allowed for replacing the damaged ones.
- When power lines have been connected, install the electric box as well to avoid of any safety problems.
- After all installation has been finished, take an overall check to the unit before powering it on.

◆ Safety precautions for usage and maintenance

 **WARNING**

- When there is something unusual (like burnt smell), cut off the power supply at once and contact the sales agent. The ongoing unusual condition would lead to malfunctions, electrocution or fire hazards.
- When refrigerant leaks, take corrective measures to prevent oxygen depletion by increasing refrigerant concentration.
- Do not use or place inflammable or explosive substances near the unit.
- Do not do troubleshooting personally, as incorrect troubleshooting would lead to electrocution or fire hazards. Instead, please contact C&H after-sales service center.
- When the unit is charged with refrigerant, do not solder or cut any pipeline, fined heat exchanger, shell-and-tube heat exchanger or other containers.

 **NOTE**

- Do not let the unit out of the designed application range; otherwise it would cause the heat exchanging tube cracking, refrigerant leakage or even explosion.
- Do not let the cold/heat source directly act on the stored foods, plants, animals, precision instruments, and curiosities, otherwise their quality would be degraded.
- Only circulating water with satisfactory water quality are allowed for the unit, as unsatisfactory water quality would shorten the service life of the unit or even malfunctions.
- When the unit has been put into use for some time, check for security of the installation foundation. Unstable foundation would lead to deformation or even safety accident.
- Once the unit is started up, stop it at least 6 minutes later, otherwise it would shorten the service life of the unit. Never deliberately start or stop the unit frequently.
- Under subzero climatic conditions, pay attention to freeze protection. When the unit is out of use in short time, do not cut off the power supply, as freeze protection will not act normally. When the unit is out of used in quite long time, add anti-freezing agent to water or drain the water system, otherwise it would make the shell and tube crack and then leak.

 **DANGER**

- Do not use the fuse out of the normal range or replace it with the electric wire, otherwise it would damage the unit or lead to fire hazards.
- Do not start or stop the unit directly by the power switch, as it would be likely to cause electrocution or fire hazards.
- Do not change settings of safety devices; otherwise it would lead to fire hazards and explosion.
- Do not operate the unit with wet hands.
- Do not clean the unit without cutting off the power supply, as it would lead to electrocution or personal injury.
- Do not let children pull power lines or climb the unit to prevent of electrocution or other dangers.
- Do not touch high-temperature parts of the compressor and refrigerant lines, as it would lead to burns.
- Do not touch sharp edges and fins of the heat exchanger; otherwise it would lead to personal injury. .
- Do not touch any moving part; otherwise it would lead to accidental injury.
- Do not stand on the unit or replace objects on it.
- Do not bend pipeline and retrofit the unit, otherwise it would lead to refrigerant leakage, explosion, fire hazards or personal injury.

⚠ CAUTION

- Do operate the unit in accordance with this manual and read it carefully before startup or troubleshooting.
- Do turn on or off the unit with the controller.

◆ Safety precaution for handling of the unit

⚠ WARNING

- Please contact the contractor for handling and installation. Improper installation would lead to electrocution or fire hazard.
- During installation or handling, do not let foreign matters mixed with refrigerant and do not air trapped inside the pipe, as it would lead to increased system pressure or explosion of the compressor.
- Only specialized power lines are allowed. Wiring terminals should suffer no any external force and are fixed properly; otherwise it would lead to fire hazards. Besides, make sure insulation of power lines always in good condition.
- Connection between two ends of the power lines is not allowed. When its length is not enough, please contact the after-sales service center for customizing another one long enough.

⚠ CAUTION

- Treatment of water, cleaning solution, refrigerant or other waste liquid or gas should comply with local laws and regulations; otherwise it would lead to adverse effect to health and environment.
- Do not misuse refrigerant, as it is one of the causes of fire hazard and explosion.

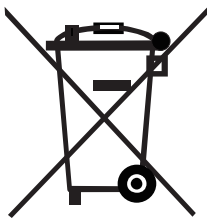
⚠ NOTE

When charging is interrupted or finished, reinspect the unit but do not let the compressor run into operation.

⚠ WARNING

Do not use mixture of refrigerant vapor and air or oxygen for pressurizing for fear of explosion.

Correct disposal



This marking indicates that this product should not be disposed with other household wastes throughout the EU. To prevent possible harm to the environment or human health from uncontrolled waste disposal, recycle it responsibly to promote the sustainable reuse of material resources. To return your used device, please use the return and collection systems or contact the retailer where the product was purchased. They can take this product for environmental safe recycling.

1 General introduction

See the nameplate for the main technical data.

The all-inverter modular air-cooled chillers are capable of performing cooling all year around with high energy efficient. It requires no cooling towers and is quite applicable to water deficient areas, and can be widely used at newly built or retrofitted industrial and civil buildings in various sizes, such as, hotels, apartments, restaurants, office buildings, shopping malls, theaters, gyms, workshops, hospitals, places where there is requirement on cooling under ultra-low temperature, like cold storages, places where require cooling for dairy products, food and industrial products, and especially places where there are high requirements on noise level and surrounding environment and boils and cooling towers are not allowed or hard to be installed.

The unit is a hermetically sealed equipment. The annual refrigerant leakage of the whole unit is less than 1g. Its refrigerant charge is required on the nameplate.

1.1 Product features

The all-inverter modular air-cooled chillers work outstandingly by virtue of their major features stated below.

- Excellent compatibility

The all-inverter modular air-cooled chillers can be constructed of multiple single units with the same or different structure or capability (32kW, 60kW and 130kW). For the CH-HP35UIMRM unit, it has only one cooling system; for the CH-HP65UIMRM unit, it has two independent systems; for the CH-HP137UIMRM unit, there are four uniform independent systems. Up to 16 single units can be modularized, with cooling capacity ranging from 35kW to 1040kW.

- Comfort and energy saving

The variable-frequency technology can quickly respond to load change and lead to decreased water temperature fluctuation and better comfort.

- Ultra-quiet

The high-efficiency and low-noise fan blades and motor as well as the optimized air passage can greatly lower operation noise of the unit. Besides, the quite mode can provide the user an ultra-quiet environment.

- Powerful self-protection

It is equipped with the top-end microcomputer control system which is capable of providing well-rounded protection and self-diagnosis.

- High reliability

It is constructed of well-designed refrigeration parts and well-designed system, structure and electric control, adequately guaranteeing reliable operation.

- Remote ON/OFF

The unit can be started or stopped by the ON/OFF key operation.

- Equilibrium running

It indicates each compressor will run alternately so as to extend their service life.

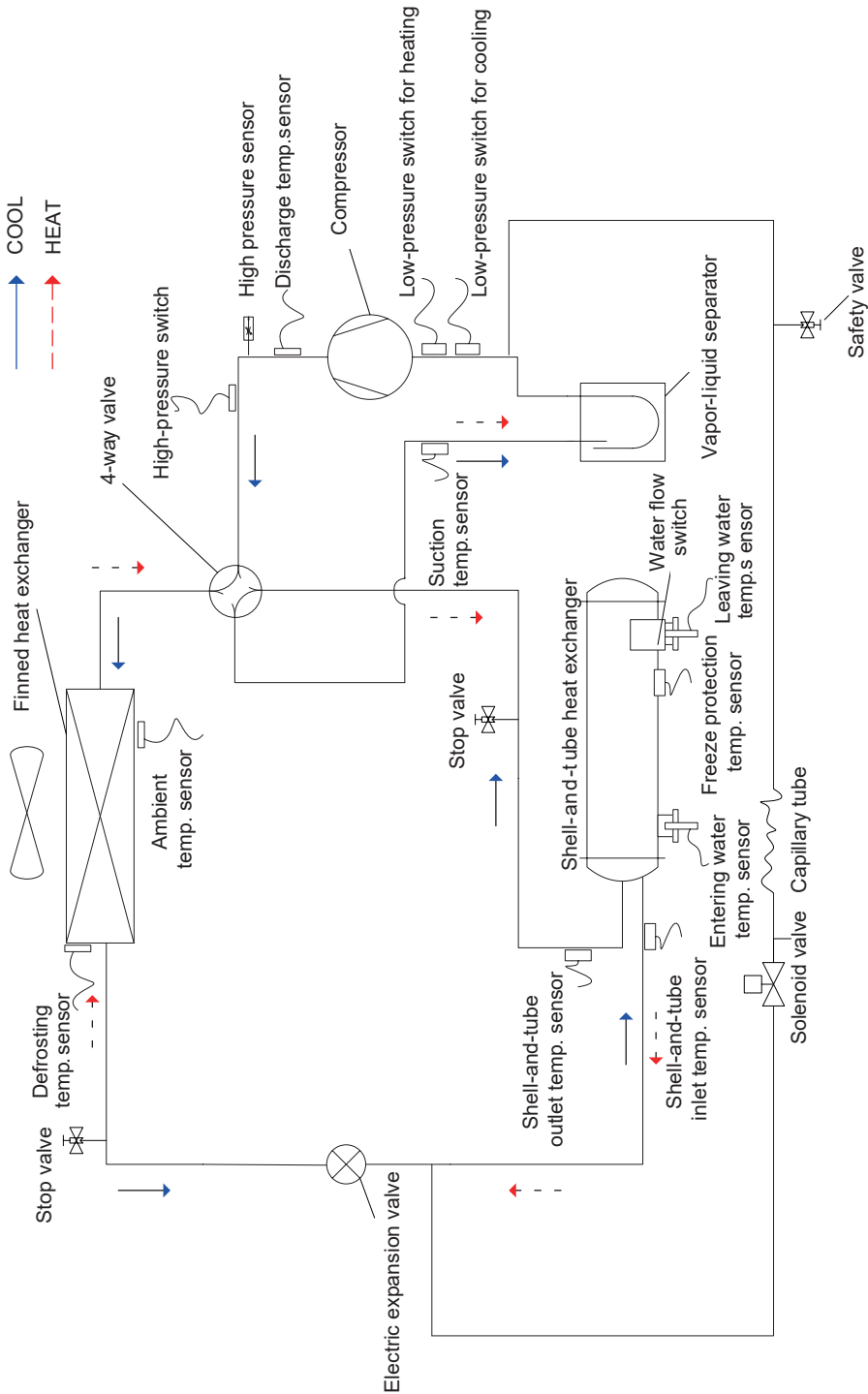
- Shiftwork of water pumps

Two water pumps can work alternately to balance their runtimes, which extends their service life. If one pump runs for this time, it will be the other pump next time.

When one water pump get faulty, the other will be turned on to ensure stable operation of the unit, thus improving the unit adaptability.

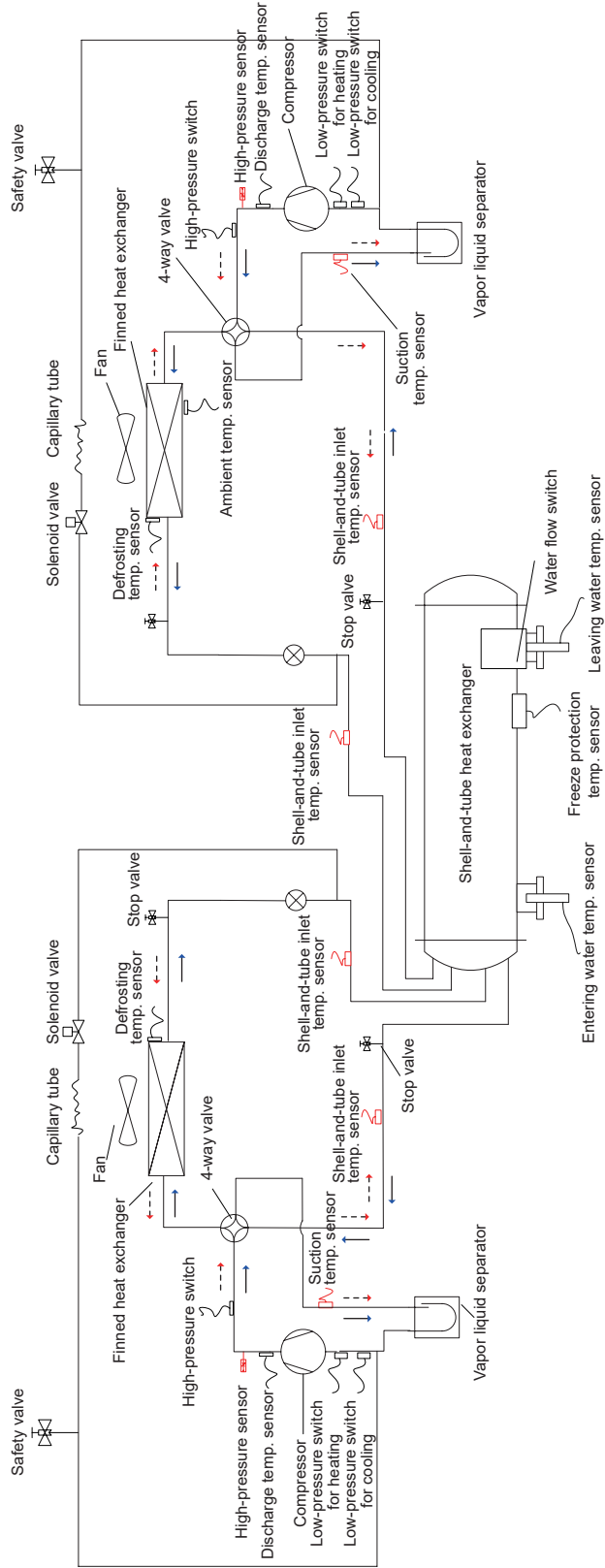
1.2 Principle diagrams

(1) CH-HP35UIMRM

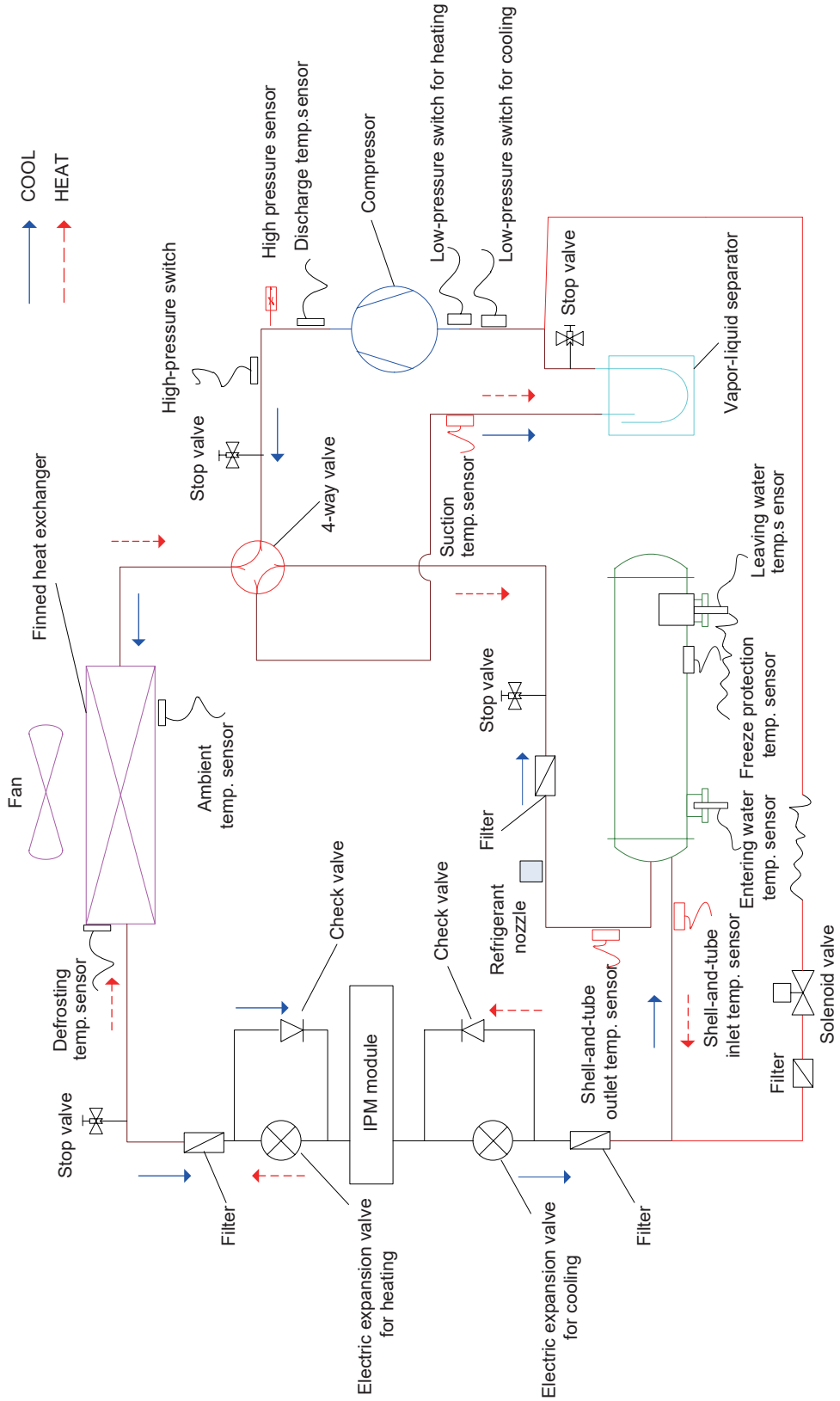


(2) CH-HP65UIMRM

→ COOL
→ HEAT



(3) CH-HP137UIMRM



2 Operation range

Please run the unit under the specified operation range as shown in the table below:

■ R32 Series

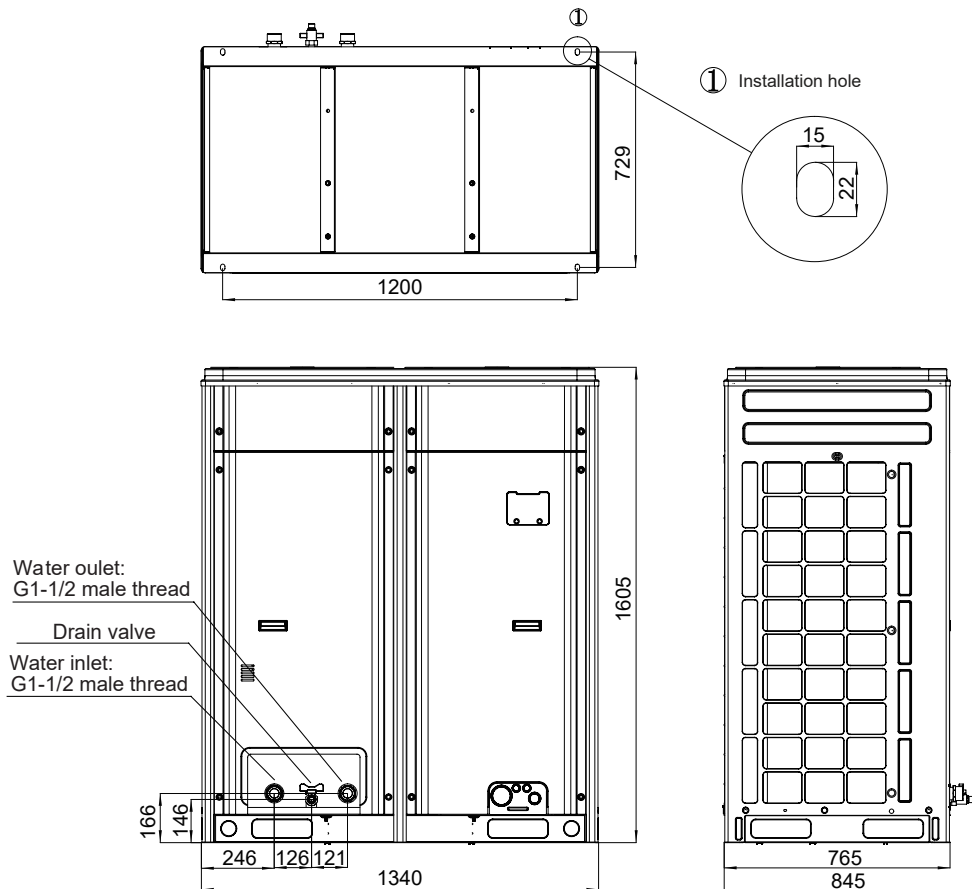
Item	Water side		Air side
	Leaving water temperature (°C)	Water temperature difference (°C)	Ambient DB temperature (°C)
Cooling	5~20	2.5~6	-15~52
Heating	35~50	2.5~6	-20~40

Maximum and minimum entering water pressures:

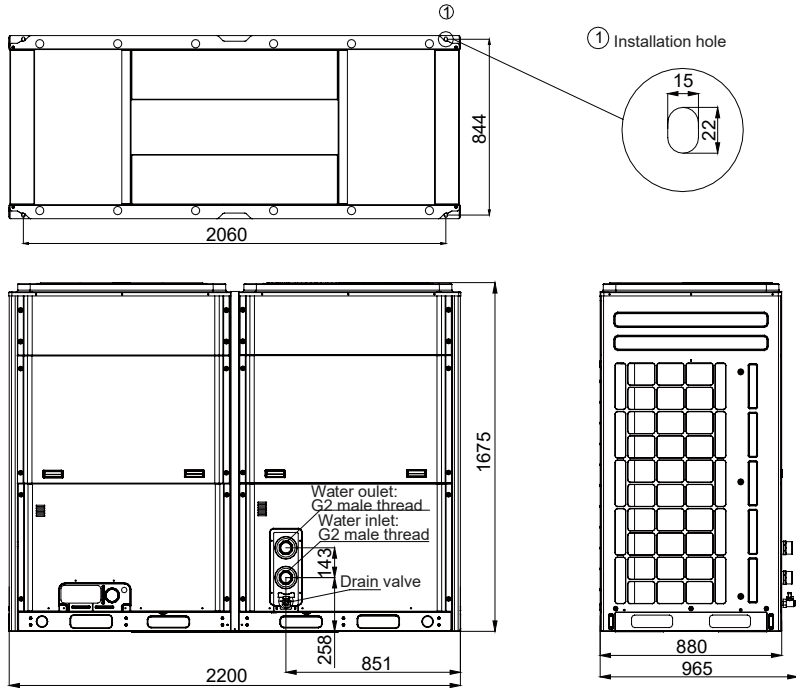
Item	Minimum entering water pressure	Maximum entering water pressure
Cooling	0.06 MPa	1.6 MPa
Heating		

3 Outline dimensions

(1) CH-HP35UIMRM(unit: mm)

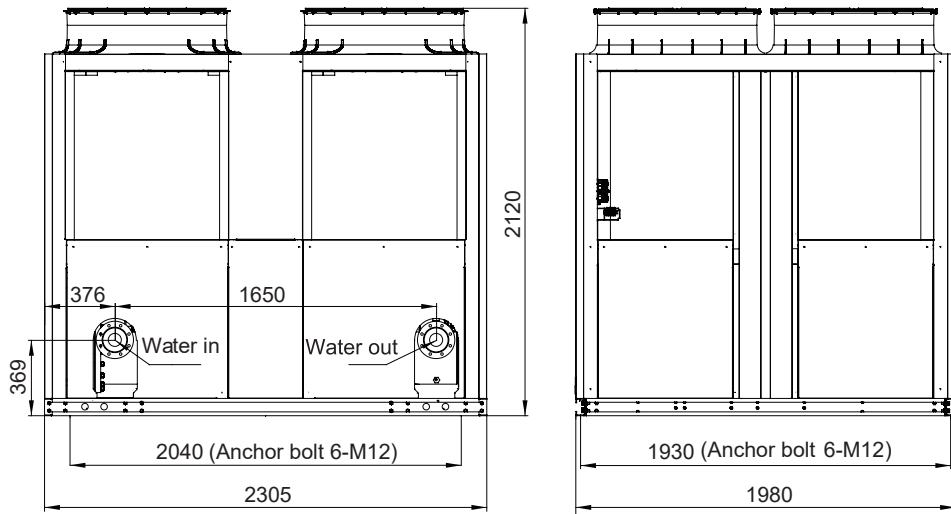


(2) CH-HP65UIMRM (unit: mm)



(3) CH-HP137UIMRM

(unit: mm)



4 Installation instructions

4.1 Pre-check

Installation should be performed by the skilled technician to guarantee the normal operation and prevent malfunctions and please read this manual carefully prior to installation.

The chiller is manufactured, inspected and tested strictly in accordance with the quality control program and it will work properly within the expected service life as long as its installation, operation and service.

4.2 Acceptance check

The user is responsible for organizing personnel to perform the acceptance check at the regulated plate of delivery. Checks listed below should be taken as a minimum.

- (1) Check if all required documents and accessories are provided as per the packing list.
- (2) Check the equipment model.
- (3) Check if the equipment is damaged and all parts are provided.
- (4) Check if refrigerant leaks.
- (5) Do not remove the protective cover on the flagon of the shell-and-tube heat exchanger before connecting the water tube and check if the water pipe is clean.
- (6) Check if the installation and operation are within the allowable conditions.

When there is damaged or any other question, contact the local sales representative for applicable solutions.

NOTE

After the acceptance check, take necessary protection to the unpacked equipment. Note that it is not recommended to unpack the equipment too early to avoid any unexpected damage.

4.3 Handling and lifting

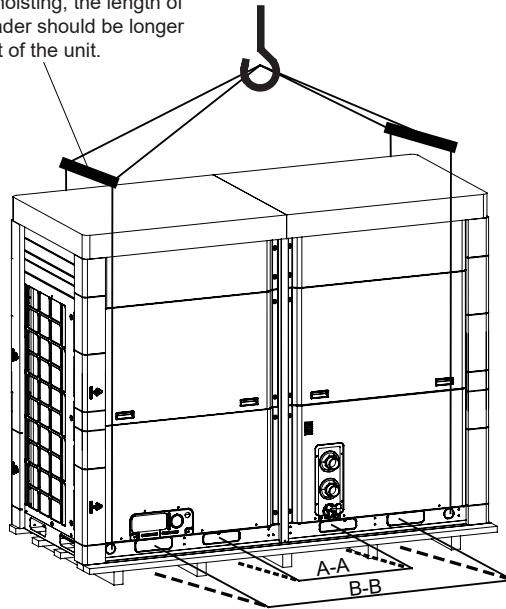
Each unit will undergo a series of strict factory inspections and tests to guarantee the expected performance and quality. However, special attention should be paid during handling and shipping to prevent the control system and the piping system from being damaged.

The unit should be moved by the forklift or hoisting machine. During lifting, the canvas lifting or steel ropes in use should be of enough strength and go through the based and then bundled tightly. The unit should be lifted stably from four corners. Meanwhile, be sure there should be protective pads to prevent lifting ropes contacting with the unit. The inclination angle during lifting should be less than 15 degree. The unit should be moved softly and severe collision and forced drag are not allowed.

Please do lifting as shown in the figure below for units with similar structure.

(1) CH-HP35UIMRM, CH-HP65UIMRM

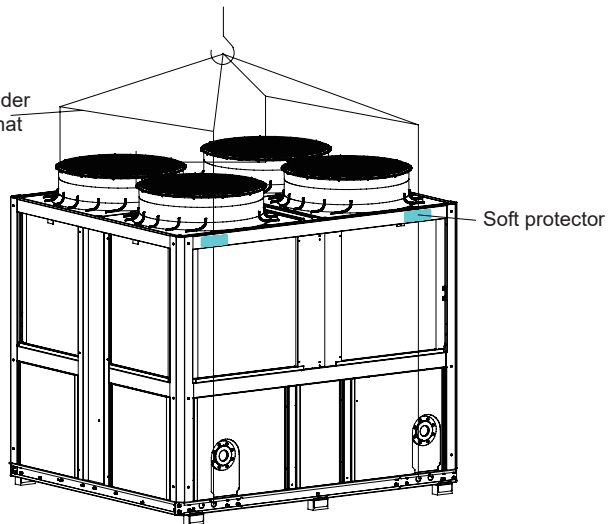
During hoisting, the length of the spreader should be longer than that of the unit.



During transport by the forklift, the symmetric holes should be used at the A-A or B-B base of the unit itself, or at the wooden base.

(2) CH-HP137UIMRM

The length of the spreader should be larger than that of the unit.



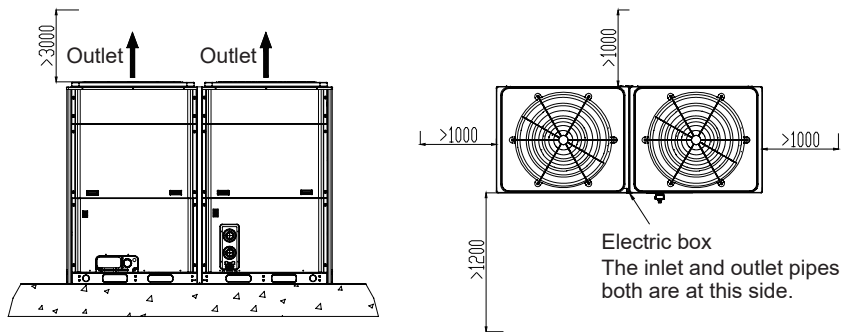
4.4 Installation foundation and service space

- (1) Installation foundation shall be designed by the qualified designer in accordance with the actual condition.
- (2) A rubber pad shall be placed under the base of each single unit and then secured on the ground or the roof. Alternatively, each single unit can be placed side by side on the parallel channel steel with enough strength which then shall be secured with anchor bolts. Distance between each single unit shall be keep 0.5m as a minimal.

- (3) Enough space shall be left for service and ventilation. There should be good ventilation around the unit. Beside, be sure there is at least 1m between the unit and any barrier, and at least 1.2m should be kept at the side of the water inlet and outlet pipes. If possible, it is better to set up a sun cover 3m ahead of the unit.
- (4) The unit shall be installed where it will not be affected by fire, corrosive, inflammable or waste gas, and proper measures shall be taken to minimize the vibration and noise.
- (5) The unit shall be installed where the defrosting water can be drained out favorably
- (6) Do not install the unit where there is heavy snow. If inevitable, build a foundation at least 300mm higher than the ground.

■ Installation space for the single unit

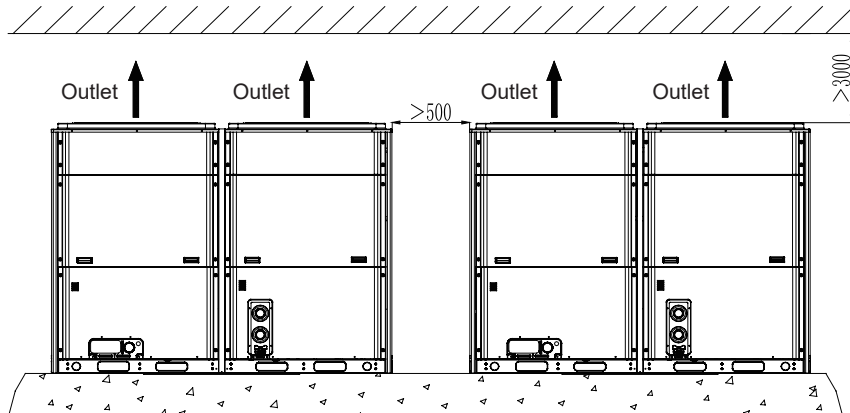
(Unit: mm)

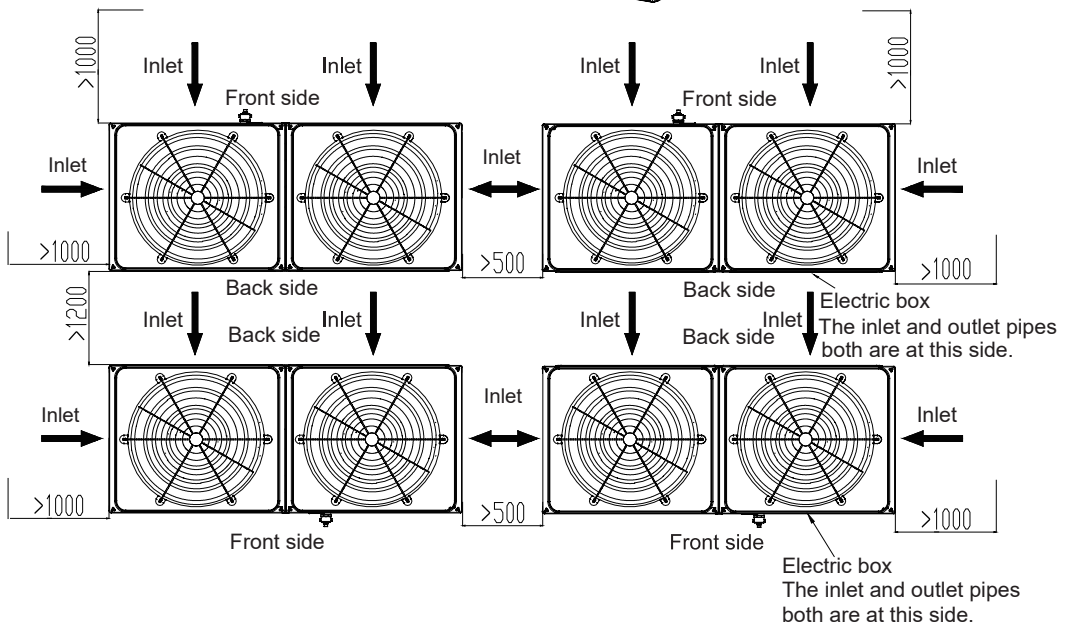
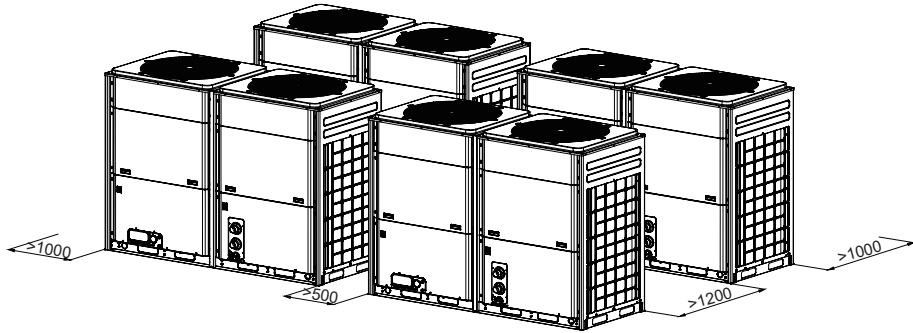
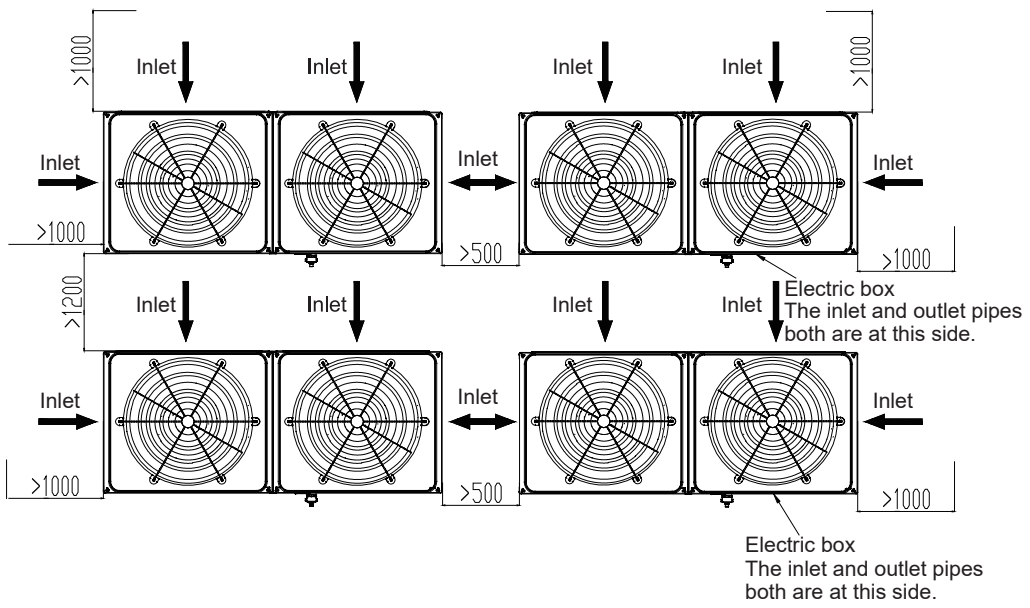


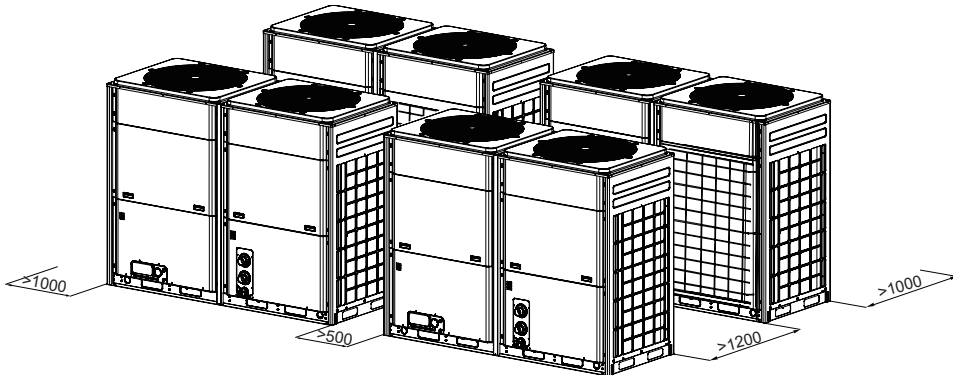
Note: The unit should be installed where at least 3 sides of the unit are not blocked.

■ Installation space for modularised units

(Unit: mm)







Note: diagrams above are just for reference and not in real proportion.

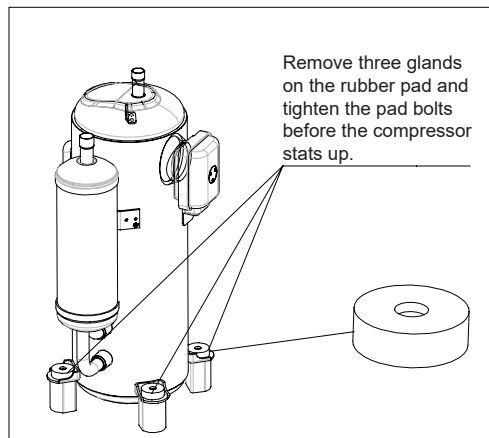
4.5 Vibration reduction

The unit shall be securely attached to the foundation through the mounting hole by following the steps below.

- (1) Be sure the planeness of the concrete foundation is within $\pm 3\text{mm}$ and the foundation shall be covered by a rubber pad.
- (2) Lift the unit until to the height where it is available to install the spring shock absorber.
- (3) Remove screws fixing the spring shock absorber.
- (4) Place the unit on the spring shock absorber and align the bolt holes of the spring shock absorber with the mounting holes on the base of the unit.
- (5) Tighten screws removed in step 2.
- (6) Adjust the height of the spring shock absorber and make sure the deflection is equal all round the spring shock absorber.
- (7) Tighten the locking screws.

4.6 Removal of glands on rubber pads before compressor startup

Glands on the rubber pads are used to reduce the vibration of the compressor during the delivery of the unit. Before the compressor starts, remove the three glands to help it operate normally. Then tighten the pad bolts to prevent the compressor from moving up.



4.7 Installation of the water system

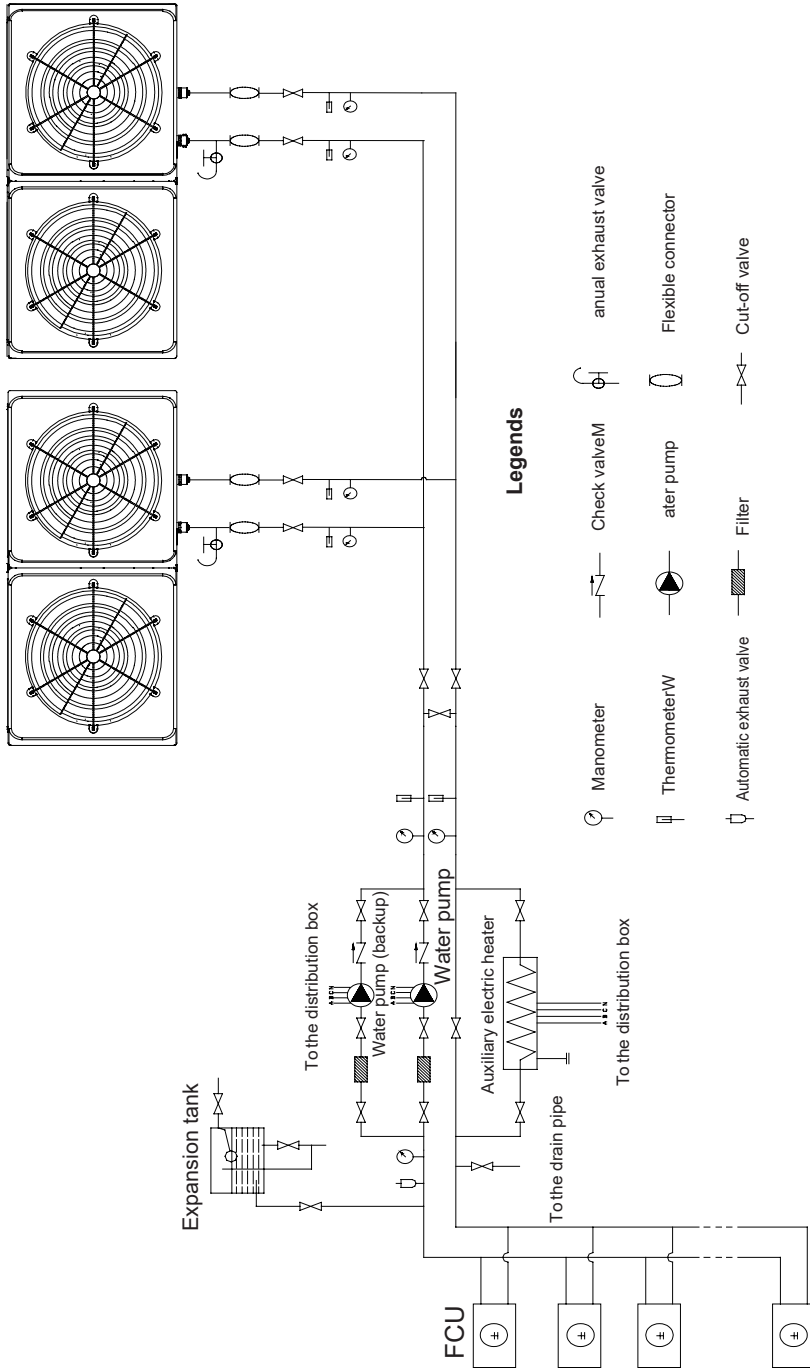
- Considerations stated below shall be taken carefully for the water system.
 - (1) Each water inlet and outlet should be labeled properly to avoid misconnection.
 - (2) A flexible connector should be used at the chilled water outlet to reduce vibration transmission.
 - (3) A manometer, a thermometer and a gate valve shall be installed at the chilled water inlet/outlet.

Moreover, a drain valve shall be installed at the outlet and an air release valve shall be installed at the inlet. At the highest point of the water system, another release valve shall be installed, while at the lowest point of the water system, another drain valve shall be installed to facilitate drainage.
 - (4) The water inlet/outlet pipe should be tightly insulated to reduce heat loss and dewing. When pipes are exposed under 0°C, a electric heater shall be installed.
 - (5) There surely be some foreign matters in the water system which would generate scale on the surface of the heat exchanger, so a filter shall be installed upstream of the water pump.
 - (6) The unit shall be bypassed during flushing to prevent drain out from entering the system.
 - (7) Under ultra-low temperature in winter, showdown at night will cause the evaporator and pipeline frozen up, so it is highly recommended to add alcohol and propanol mixture in chilled water. Do not cut off the power supply when the unit is turned off, otherwise the freeze protection does not work. Alternatively, cut off the power supply and drain the water system thoroughly.
 - (8) In case a low load protection occurs, when a unit is required to run under its low load, the minimum capacity of its water system should be ensured. The minimum capacity of the water system = water volume (10L) for 1kW heat exchange capacity × rated cooling capacity. For instance, the rated cooling capacity of the model CH-HP35UIMRM is 32kW, so the minimum capacity of its water system should be 320L (=10L/kW × 32kW). When several units work in a modular way, the minimum capacity of the modular water systems should be the sum of the minimum one of each model. A water tank should be required for water piping of low capacity, otherwise the capacity of a unit will be not consistent with its loads, thus resulting in low load protection and reduced service life.

 **NOTE**

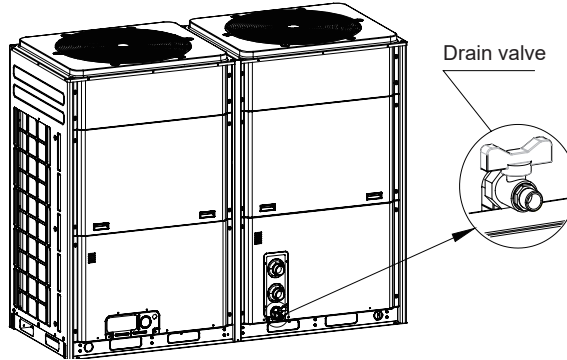
Never use salt mixture to prevent the unit from being corroded.

■ Installation illustration



■ Drainage

- (1) Loosen screws around the panel and then take down it.
- (2) Remove anticlockwise the blind plug located at the bottom of the heat exchanger to let the chilled water flow out, after that, tighten the blind plug and reinstall the panel. (Note: place the drainage equipment beneath the drain pipe to prevent pollution caused by the drain water.



NOTE

Keep the purge valve of the water system open in order to drain the evaporator and condenser completely.

5 Introduction to the display panel

See the Operation Instructions for the display panel of the inverter modular type chillers for more details.

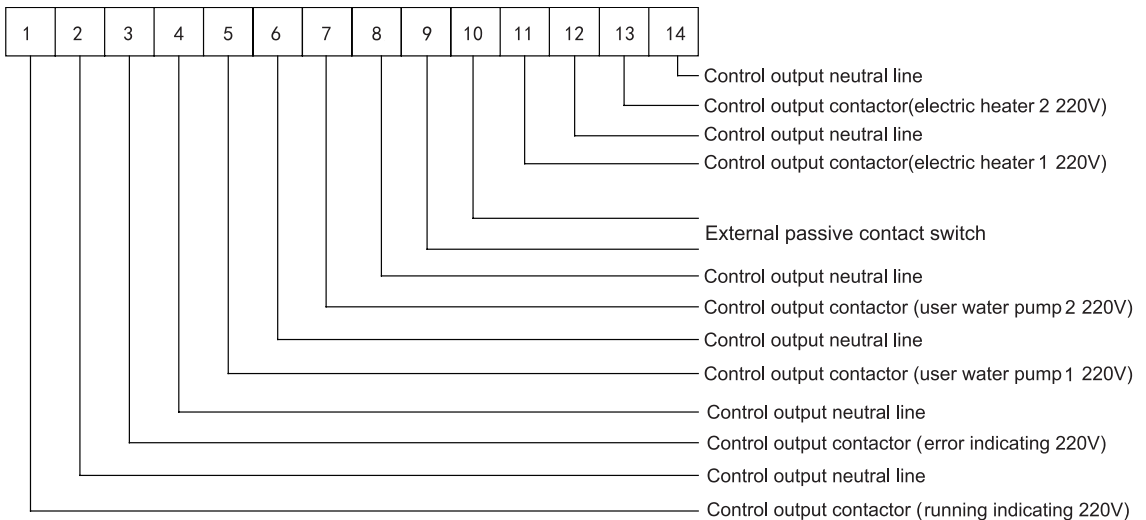
NOTE

The control display should be placed in the position where the temperature is above -20°C.

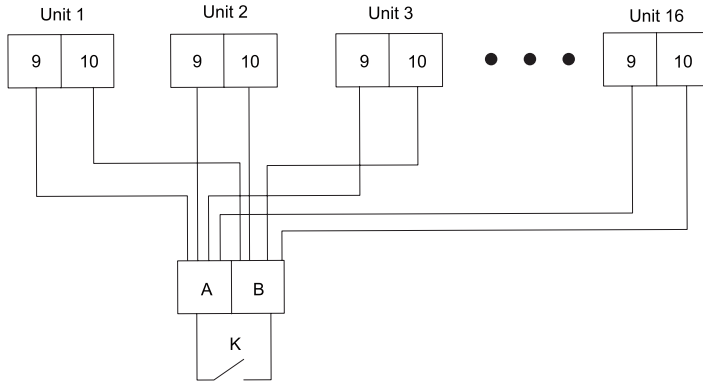
6 Electric wiring

6.1 External wiring of the electric control cabinet

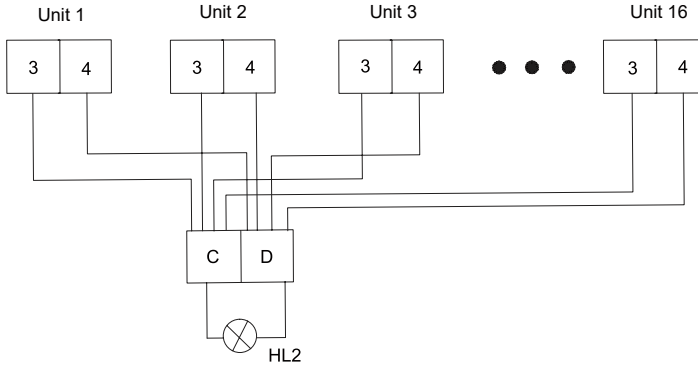
(1) CH-HP35UIMRM



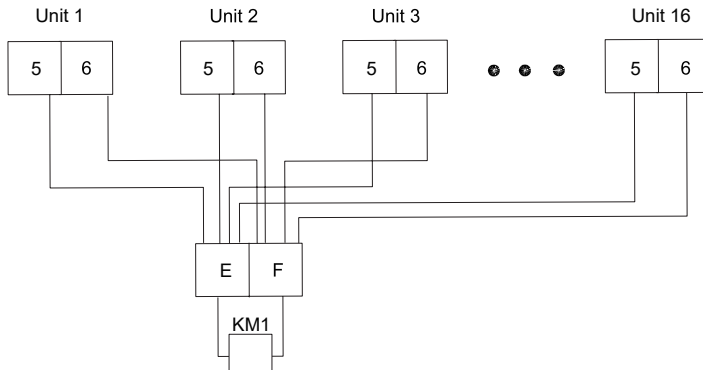
Note: the output control lines of the AC contactors for the running indicator, water pump 1, water pump 2, auxiliary electric heater 1, auxiliary electric heater 2 can be wired to the corresponding wiring board of all units, while those for the error indicator and external passive contact switch should be wired to the corresponding wiring board of all units as shown in the figure below.



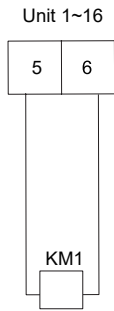
When external passive contact switch is available for multiple units, the wiring board 9 and 10 of each unit should be wired to the dry contact A and B.



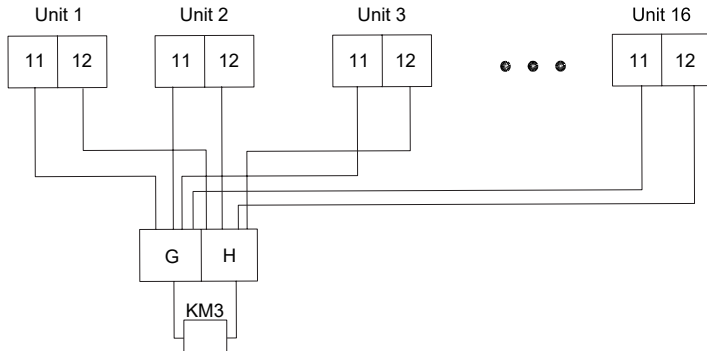
When it is required to display errors of several units, the wiring terminals (3, 4) of each unit should be wired to the wiring terminals HL2 (C, D) of the error indicator. (If it is required to display the error of each unit independently, then the error indicator of each unit should be wired independently to the corresponding error output wiring terminals (3,4) of each unit.



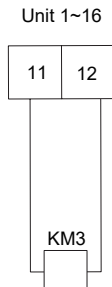
When multiple modules have direct control over one water pump, wiring terminals 5 and 6 for one modular unit are connected to terminals E and F respectively of the AC contactor (KM1) for the water pump, or 7 and 8 to E and F respectively of an AC contactor (KM2).



When multiple modules have direct control over one water pump, its AC contactor is wired to an AC contactor (KM1 or KM2) of any one module.

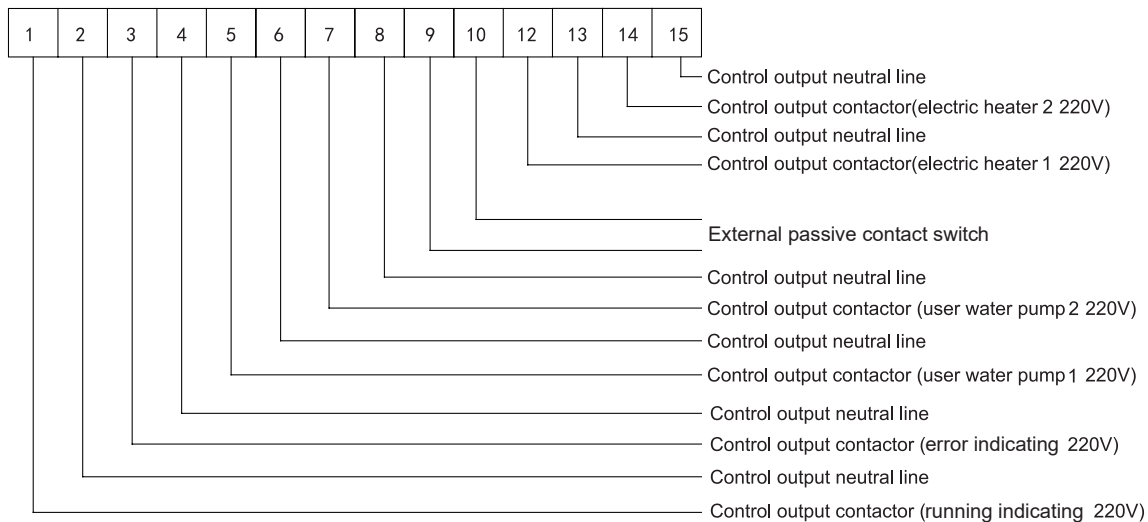


When one auxiliary electric heater serves more than one modules, its wiring terminals 11 and 12 are connected to terminals G and H respectively of an AC contactor marked with KM3.

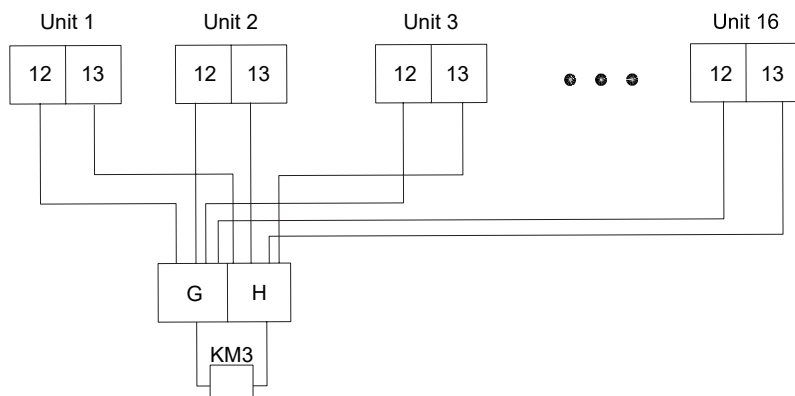


When multiple modules have direct control over one auxiliary electric heater, its AC contactor is wired to an AC contactor (KM3 or KM4) of any one module.

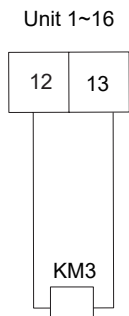
(2) CH-HP65UIMRM



Note: the output control lines of the AC contactors for the auxiliary electric heater 1, auxiliary electric heater 2 can be wired to the corresponding wiring board of all units, while those for the error indicator and external passive contact switch should be wired to the corresponding wiring board of all units.

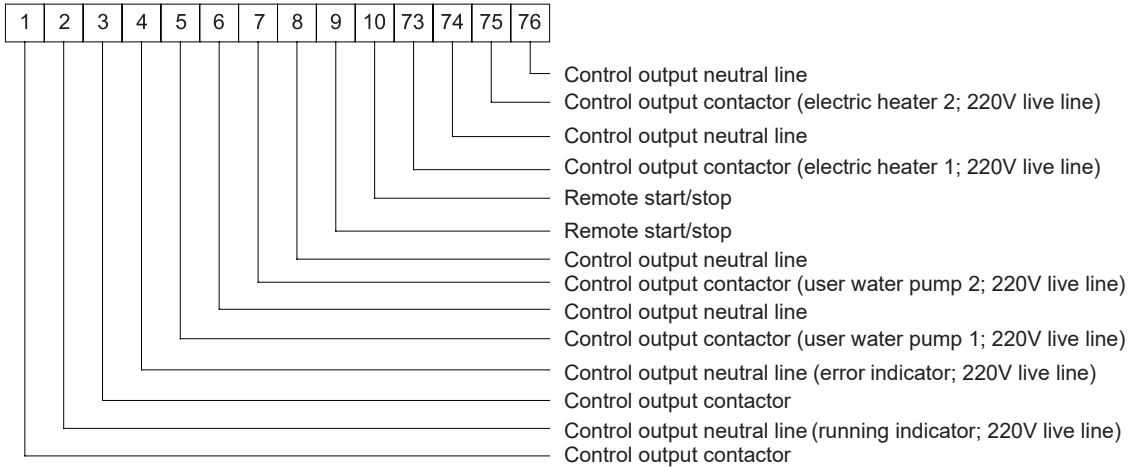


When one auxiliary electric heater serves more than one modules, its wiring terminals 12 and 13 are connected to terminals G and H respectively of an AC contactor marked with KM3

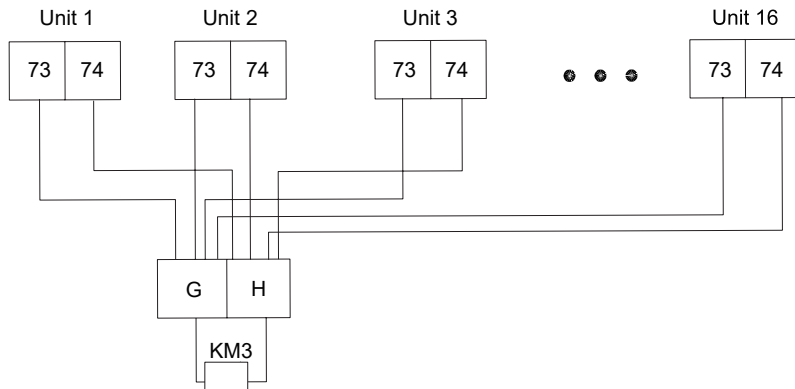


When multiple modules have direct control over one auxiliary electric heater, its AC contactor is wired to an AC contactor (KM3 or KM4) of any one module.

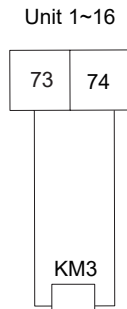
(3) CH-HP137UIMRM



Note: the output control lines of the AC contactors for the auxiliary electric heater 1, auxiliary electric heater 2 can be wired to the corresponding wiring board of all units, while those for the error indicator and external passive contact switch should be wired to the corresponding wiring board of all units.



When one auxiliary electric heater serves more than one modules, its wiring terminals 73 and 74 are connected to terminals G and H respectively of an AC contactor marked with KM3



When multiple modules have direct control over one auxiliary electric heater, its AC contactor is wired to an AC contactor (KM3 or KM4) of any one module.

6.2 Specification of power supply

See the table below for selection of the power lines and the air switches.

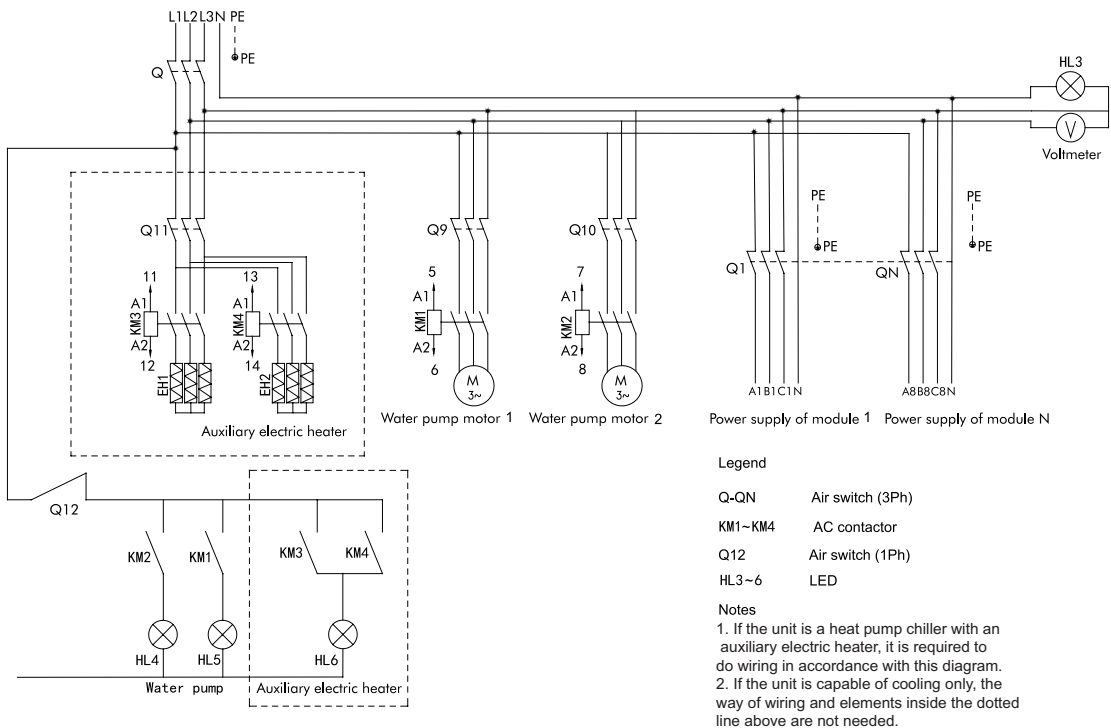
Model	Power supply	Min. sectional area of the power cable (mm ²)			Capacity of the air switch (A)
		Live line	Neutral line	Earth line	
CH-HP35UIMRM	380V-415V AC 3Ph 50Hz	6	6	6	32
CH-HP65UIMRM	380V-415V AC 3Ph 50Hz	16	16	16	63
CH-HP137UIMRM	380V-415V AC 3Ph 50Hz	35	35	35	150

Notes:

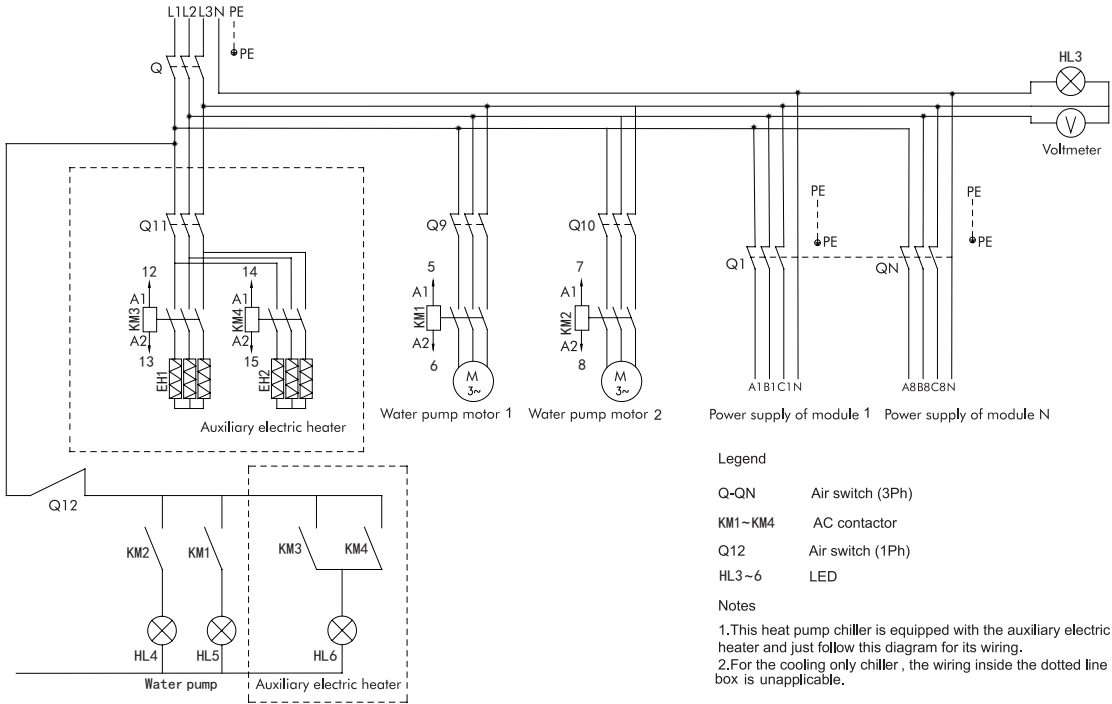
- The specifications of the breaker and power cable listed in the table above are determined based on the maximum power (maximum amps) of the unit.
- The specifications of the power cable listed in the table above are applied to the conduit-guarded multi-wire copper cable (like, JYV copper cable, consisting of PV insulated wires and a PVC cable jacket) used at 45°C and resistible to 90°C (GB/T 16895.15-2002). If the working condition changes, they should be modified according to the related national standard.
- The specifications of the breaker listed in the table above are applied to the breaker with the working temperature at 40°C. If the working condition changes, they should be modified according to the related national standard.

6.3 Wiring of the electric control cabinet

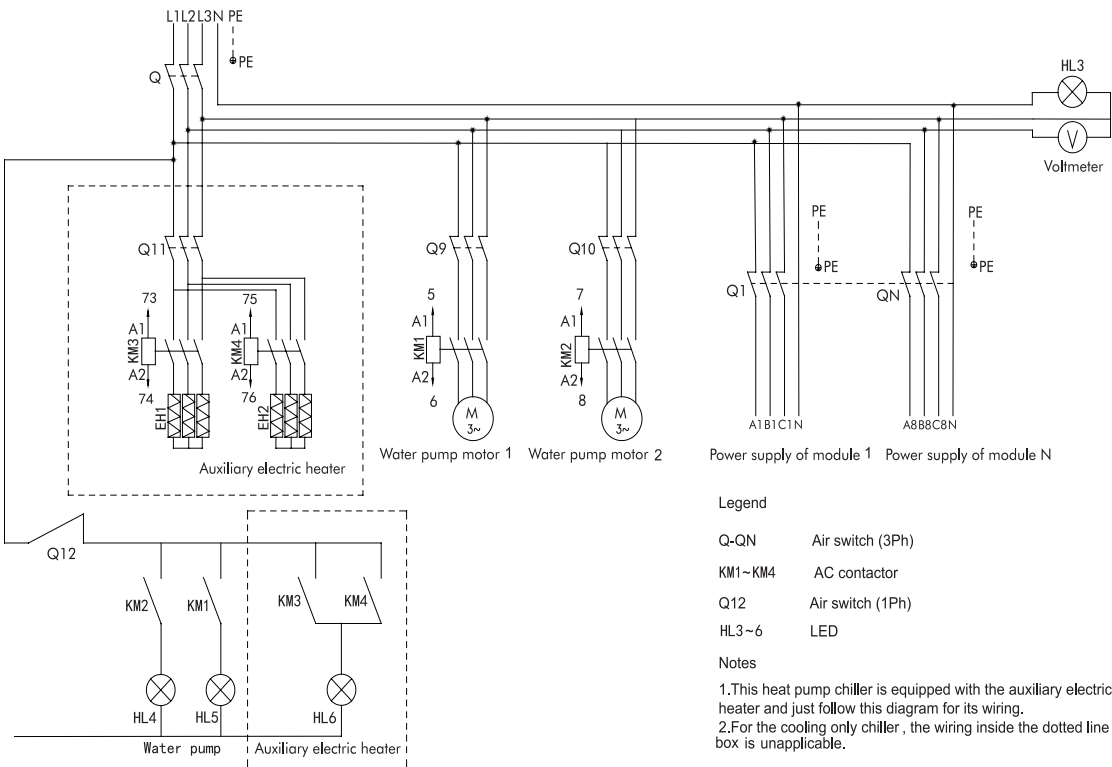
(1) CH-HP35UIMRM



(2) CH-HP65UIMRM



(3) CH-HP137UIMRM



6.4 Filed wiring

■ Safety codes

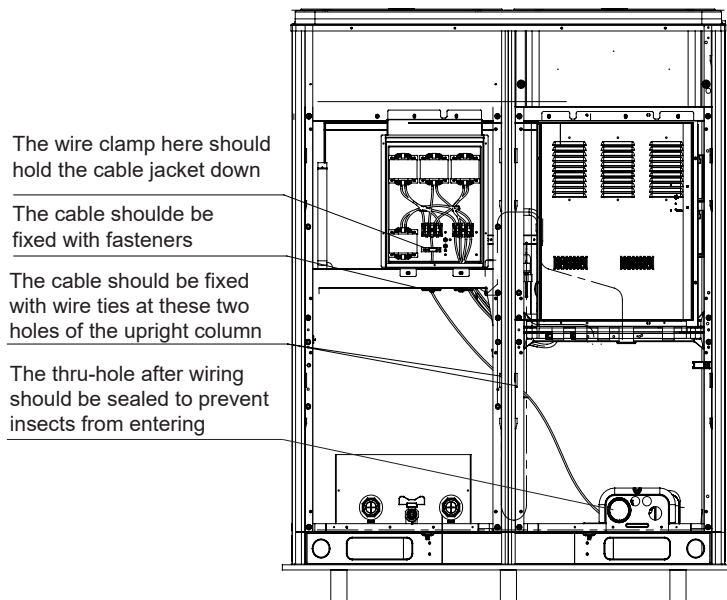
- (1) All wiring shall comply with applicable codes and engineering requirements.
- (2) All field wiring shall be performed by the qualified electrician.
- (3) Never perform wiring before the power supply is cut off.
- (4) Any damage caused by the improper external wiring shall be at the installer's expense.

WARNING

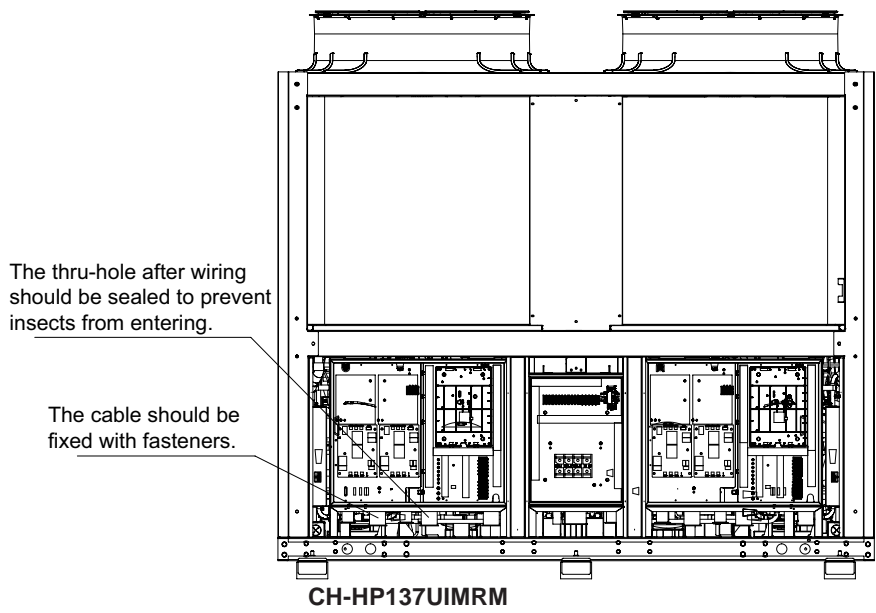
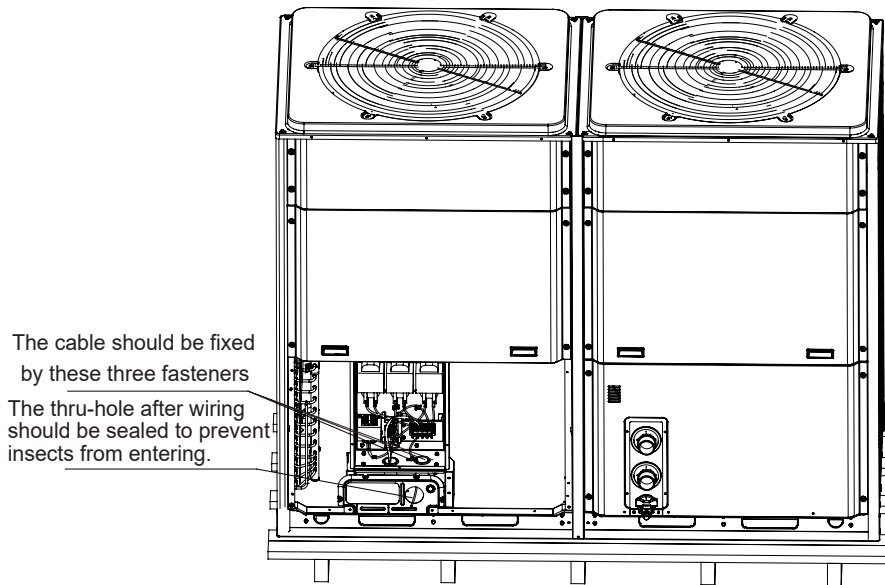
Only copper conductor is allowed.

■ How to wire the power lines to the electric box

- (1) The power supply line must be routed inside the conduit.
- (2) The power supply line must enter the electric box through a rubber or plastic ring to avoid any damaged caused by the sharp edge of the metal sheet.
- (3) The power supply line close to the electric box must be attached securely to prevent the terminal block of the electric box affected by the outside force. The power supply line shall be installed with a suitable cord anchorage against cord losing. See the wiring diagrams below for external wiring.



CH-HP35UIMRM



(4) The unit shall be grounded reliably and never connect the ground wire with the gas fuel pipe, water pipe, lightning rod or telephone line.

(5) After wiring, O-rings should be tightened to prevent coming of insects.

■ Control line

(1) The field supplied control line shall be at a minimum 1mm².

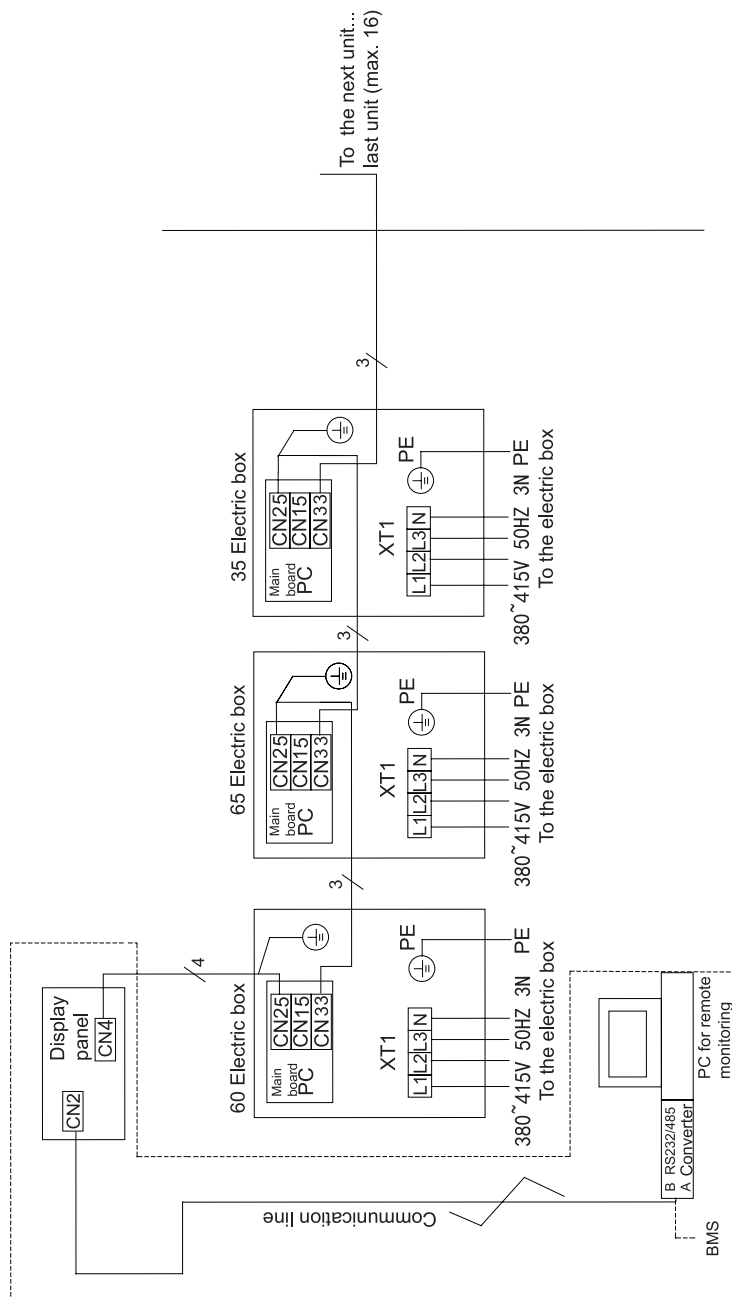
(2) The electric box will send the control signal (220V AC, 5A) to control the chilled water pump and auxiliary electric heater, however, never do not drive them directly through the control signal but through their AC contactors.

(3) Switching signals (220V AC, 2A) for the running and error indicators are available for the electric box.

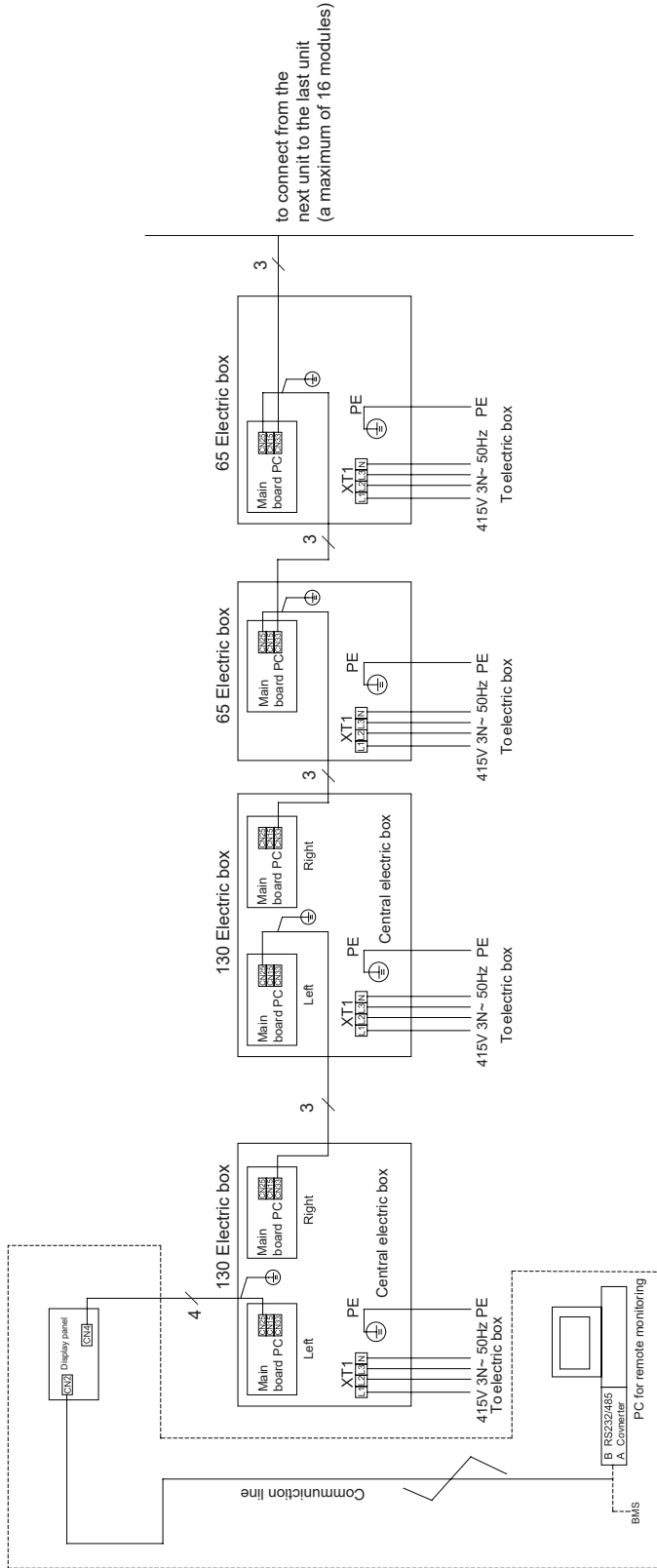
- (4) The remote switch control signal is available for the electric box and please pay attention to the input passive dry contact.
- (5) A reasonable length of the control line should be left outside the unit and the rest should be bundled and fed into the electric box.
- (6) The connection line of the display panel and main board is reliably grounded through the main board. Beside, communication lines between units also should be grounded.

6.5 Networking and wiring between units

(1) CH-HP35UIMRM



(2) CH-HP65UIMRM, CH-HP137UIMRM



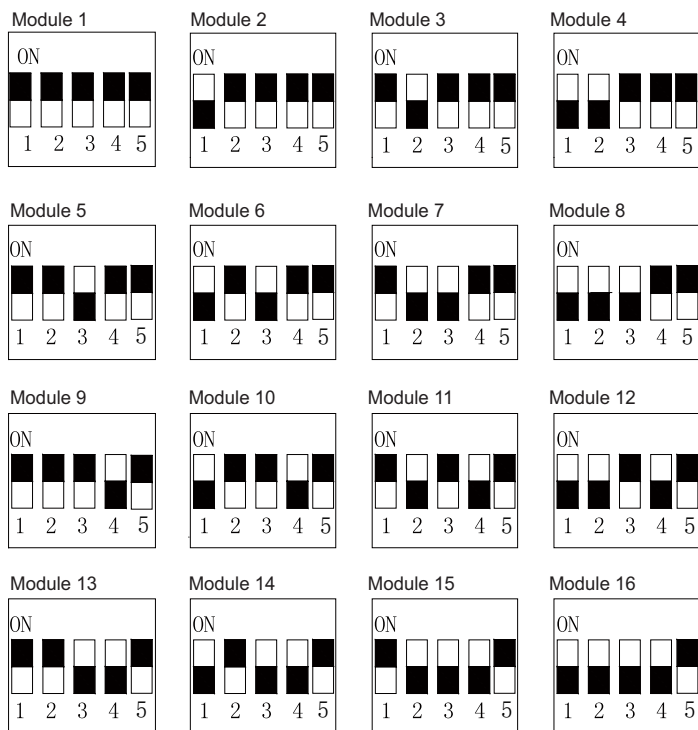
Notes:

- (a) As shown in the diagram above, CN33 and CN25 of all modules are connected by a three-core four-pin shielded communication line whose ground wires of both ends will be linked to the terminal near the main board.
- (b) As shown in the diagram above, CN4 on the display panel is connected to a CN25 on a main board of any unit by a four-core shielded communication line whose ground wire will be linked to the terminal near the main board.
- (c) The power lines should be connected to L1, L2, L3, and N at XT1 through a piece of four-core rubber sleeve cable as shown in the figure above.
- (d) There are two solutions for remote monitoring.
 - Install the remote monitoring software at the PC.
 - Based on C&H provided Modbus protocol, the user can do second development to this protocol.

Note: those enclosed by the dotted lines indicate the remote monitoring equipment. When the quantity of the display panel exceeds 30 or length of the communication line exceeds 800m, extra photoelectric relay is required. The photoelectric relays, communication lines (class 5 twist pairs), converters are optional. PC should be prepared by the user themselves.

6.6 Setup of DIP switches on the motherboard

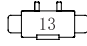
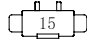
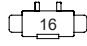
Five-bit DIP switches are used for indicating hardware address (1~16) of modules, with module No. displayed in turn on the panel as Module 1, Module 2, ..., Module 16. DIP switches 1,2,3,4 and 5 are binary codes, with 1 for the lowest bit and 5 for the highest bit. Comparison drawings are as follows (Caution: only in the condition of power supply shutoff can DIP switches be set):



Note: the black block represents where the projecting lever of the DIP switch is.

6.7 Jumpers

When it is required to replace the main board, be sure the main board can match with the applicable jumpers.

Model	Code	Jumper no.	Matched compressor
CH-HP35UIMRM	4202021913		QXFS-H80zN345H
CH-HP65UIMRM	4202021915		QXFS-H80zN345H
CH-HP137UIMRM	4202021916		QXFS-H80zN345K

7 Commissioning and maintenance

The unit shall be maintained periodically by the skilled servicemen from C&H or a designed person under our professional guide to guarantee the unit operates reliably in a long term.

7.1 Check before startup

Please finish the following steps before starting the system.

- (1) Before connecting to electricity, you need to make sure that the insulation resistance between the wiring terminal and ground complies with the local codes and regulations and check if the motor meets the insulation requirement with a resistance meter.
- (2) Check if all connections are in good condition and clean.
- (3) Close the main power switch.
- (4) Check if the voltage between terminals keeps balance within deviation of 2%.
- (5) Be sure the power supply line is capable of carrying the rated current on the nameplate.
- (6) Be sure all valves of water and refrigerant pipeline are placed properly.
- (7) Reset all hand reset control elements.
- (8) Be sure all sensors are placed installed properly.

7.2 Requirements on water quality and cleaning

Be sure to open the water pump after the water system has been flushed times and the water quality has met the requirements and meanwhile be sure the water flow rate and pressure are within the allowable range.

The industrial water generates little scale when used as the refrigeration medium while the well or river water will generate much more scale and sands which would reduce the flow rate of the evaporate and cause freezing. Therefore, the well or river water must be firstly treated with the water softening equipment and analyze the PH, heat conductivity, Cl ion, and S ion before use.

Be sure to open the water pump after the water system has been flushed times and the water quality has met the requirements and meanwhile be sure the water flow rate and pressure are within the allowable range.

The industrial water generates little scale when used as the refrigeration medium while the well or river water will generate much more scale and sands which would reduce the flow rate of the evaporate and cause freezing. Therefore, the well or river water must be firstly treated with the water softening equipment and analyze the pH, Electrical conductivity, Cl ion, and S ion before use.

Water quality requirement						
Items		Cold/hot water		Trend		
		Circulating water	Makeup water	Corrosion	Scale	
Basic items	pH (25°C)		6.8-8.0	6.8-8.0	○	○
	Electrical conductivity (25°C)	μs/cm	<400	<300	○	○
	Cl ⁻	mg(Cl ⁻)/L	<50	<50	○	
	SO ₄ ²⁻	mg (SO ₄ ²⁻)/L	<50	<50	○	
	Acid consumption (pH4.8)	mg (CaCO ₃) /L	<50	<50		○
	Total hardness	mg (CaCO ₃) /L	<70	<70		○
Other items	Fe	mg (Fe) /L	<1.0	<0.3	○	○
	S ²⁻	mg (S ²⁻) /L	Undetectable	Undetectable	○	
	NH ₄ ⁺	mg (NH ₄ ⁺)/L	<1.0	<0.3	○	
	SiO ₂	mg (SiO ₂)/L	<30	<30		○
NOTE: "○" indicates possible corrosion or scaling.						

Even if the water quality is under the strict control, calcium dioxide or other minerals will still form on the surface of the heat exchanger which will affect the heat exchange efficiency and be eliminated by formic acid, lemon acid, acetic acid or other organic acid.

Therefore, the pipe system should be cleaned periodically. Oxalic acid, acetic acid and formic acid can be used as the organic cleaning agent, but the strong chloracid is not allowed as it will corrode the copper tube of the heat exchanger and then lead to water and refrigerant leakage.

■ Preparation of materials and tools

Several bags of environmental friendly scale remover, or similar cleaning liquid.

■ Cleaning Instructions

Step 1: estimate the required amount of scale remover in accordance with the system water volume and severity of scaling.

Step 2: add the scale remover to the water tank and the scale remover.

Step 3: start through the contactor the water pump every 10 minutes and spread the scale remover in water more quickly and widely.

Step 4: after that, follow the steps below:

- (1) Let the water pump run for another 1-2 hours.
- (2) 1-2 hours later, change the cleaning solution to anti-rusting agent. Then, drain the water system and check the water quality. If water is cloudy, then it indicates the cleaning effect is satisfactory.
- (3) Open the water inlet to see if scale on the shell and tube has been removed. If not, clean the shell and tube separately again by the skilled serviceman and then rinse them. If there is still sand, scale and other foreign matters at the bottom of the shell and tube, let cleaning solution in from the inlet pipe and then let the foul water out through the drain outlet.
- (4) Fully charge the water system and let it run for another 1-2 hours.

- (5) Stop the unit to drain up waste solution. If impossible, drain it with making up water at the same time until all waster solution has been drained out completely (at this time water is transparent and pH is 7).
- (6) Repeat (4) and (5).
- (7) Clean or change the filters in the water system.
- (8) See if the difference between the entering and leaving water temperature is improved.

■ Precautions

- (1) Although the cleaning agent is innocuous, care also should be taken not to let it spill into eyes.
- (2) The serviceman with injuries on the hand is not allowed to take this task. Check the running status before and after cleaning, summarize the cleaning effect and record the running data before and after cleaning.

7.3 Trial run

- (1) When the unit has not been used for a long period or the ambient temperature is below 5°C, keep the unit energized at least 8 hours before startup to preheat the crankcase of the compressor so as to evaporate the liquid refrigerant inside the compressor which otherwise would cause adverse effect on the compressor.
- (2) Be sure valves are opened properly to prevent the compressor from being damaged by the abnormal high pressure.
- (3) Check the power supply and insulation conditions, and see initial settings of each control and protection element are satisfactory, and then record relative records.
- (4) Turn on the wired controller to check the error record. If any error exists, eliminate it before restarting the unit.
- (5) When a single unit has run stably, check the entering and leaving water temperature difference, and adjust the water damper to make the temperature difference reach 2.5~6°C and then record related data.
- (6) When all units have run stably, check the entering and leaving water temperature difference of each on, and adjust the water damper to make the temperature difference reach 2.5~6°C and then record related data.
- (7) When all loads have been started and all units have run stably for one hour, check the air conditioning and water temperature and see if they can meet the client's requirement and then record related data.

7.4 Routine startup/shutdown

It is recommended to start the system through the wired controller in the sequence of the water pump first and then the main unit, and stop the system in a reverse sequence.

When the unit is not used for a long term or temperature is below 5°C, remember to keep the unit energised at least 8 hours before startup to preheat the crankcase of the compressor so as to evaporate the liquid refrigerant inside the compressor which otherwise would cause adverse effect on the compressor.

When the function of the auxiliary electric heater is activated through the control panel, if the ambient temperature is quite low and out of the nominal heating range, the control panel will tell “As ambient temperature is low, startup is not allowed”. At this point, the auxiliary electric heater will work, with the running indicator lighting on, the water pump running but the compressor stopped.

When the function of the auxiliary electric heater is deactivated through the control panel, if the ambient temperature is quite low and out of the nominal heating range, the control panel will tell “As ambient temperature is low, startup is not allowed”. At this point, the auxiliary electric heater will not work, with the running indicator lighting off and both the water pump and compressor stopped.

 **NOTE**

When the unit is ready to perform heating but water temperature is below 20°C, in order to keep stable and reliable operation, please do not start the terminal units until water temperature goes up to 35°C.

7.5 Maintenance to the main parts

- (1) During normal operation, the water pump is under the control of the main unit. However, when flushing the water system, do not let the main unit control the water pump.
- (2) Do not start the unit until the water system has drained completely.
- (3) Do not manually restart the unit until the stop interval exceeds 3 minutes.

7.6 Maintenance during long-term downtime

When the chiller is going to be stopped for a long period, maintenance listed below shall be performed:

- (1) Take the leakage test for the refrigerant tube. If leakage occurs, eliminate it.
- (2) Maintain the water pump and air conditioning divides in accordance with the suggestions provided by the manufacturer.
- (3) Drain the water system by opening the discharge valve (especially in winter) to avoid frostbite on the shell and tube.
- (4) Switch off the power supply of the chiller and the water pump.
- (5) Clean and dry the inside and outside surface of the chiller. Then, cover it against dust.

7.7 Startup after long-term shutdown

Preparations shall be taken when starting up the chiller which has not been used for a long period.

- (1) Completely check and clean up the chiller.
- (2) Clean the water piping system.
- (3) Check the water pump.
- (4) Tighten all connectors.
- (5) Take the leakage test for all piping. If leakage occurs, eliminate it.
- (6) Regulate the water flow through the balance valve and check the water pressure.
- (7) Check if the fan rotates properly.
- (8) Check if the system vibration and noise are acceptable.

7.8 Parts replacement

Only parts supplied by C&H can be replaced instead of similar parts supplied by others.

7.9 Safety operation of flammable refrigerant

(1) Qualification requirement for installation and maintenance man

All the work men who are engaging in the refrigeration system should bear the valid certification awarded by the authoritative organization and the qualification for dealing with the refrigeration system recognized by this industry. If it needs other technician to maintain and repair the appliance, they should be supervised by the person who bears the qualification for using the flammable refrigerant.

It can only be repaired by the method suggested by the equipment's manufacturer.

(2) Installation notes

The unit is not allowed to use in a room that has running fire (such as fire source or operating heater).

It is not allowed to drill hole or burn the connection pipe.

(3) Maintenance notes

Check whether the maintenance area meet the requirement. It's only allowed to be operated outdoors that meet the requirement.

Check whether the maintenance area is well-ventilated. The continuous ventilation status should be kept during the operation process.

Check whether there is fire source or potential fire source in the maintenance area. The naked flame is prohibited in the maintenance area; and the "no smoking" warning board should be hanged.

Check whether the appliance mark is in good condition. Replace the vague or damaged warning mark.

(4) Welding

If you should cut or weld the refrigerant system pipes in the process of maintaining, please follow the steps as below:

- 1) Shut down the unit and cut power supply
- 2) Eliminate the refrigerant
- 3) Vacuuming
- 4) Clean it with N₂ gas
- 5) Cutting or welding
- 6) Carry back to the service spot for welding

The refrigerant should be recycled into the specialized storage tank.

Make sure that there isn't any naked flame near the outlet of the vacuum pump and it's well-ventilated.

(5) Filling the refrigerant

Use the refrigerant filling appliances specialized for R32. Make sure that different kinds of refrigerant won't contaminate with each other.

The refrigerant tank should be kept upright at the time of filling refrigerant. Stick the label on the system after filling is finished (or haven't finished). Don't overfilling.

After filling is finished, please do the leakage detection before test running; another time of leak detection should be done when it's removed.

(6) Safety instructions for transportation and storage

Please use the flammable gas detector to check before unload and open the container. There should be no fire sources or smoking.

Abide by the local rules and laws.

7.10 Refrigerant charging

Refrigerant charging should be done based on the discharge and suction pressure. An air tight test must be taken on the condition refrigerant leaks or some part is required to be replaced. Refrigerant charging comes into two cases stated below.

◆ Complete charging

In this case, take a leakage test by charging hi-pressure nitrogen (15~20kg) or refrigerant into the system. If soldering is required, note that gas inside the system must be expelled firstly. The whole system must be dried and vacuumed prior to charging.

- (1) Connect the manifold gauge.
- (2) Vacuum the system with the vacuum pump.
- (3) After the system pressure reaches the required value (<80Pa) for more than 30 minutes and keeps below 100Pa, charge refrigerant at the low pressure side as per the rated specification on the nameplate.
- (4) Refrigerant charge will be affected by the ambient temperature. When charged refrigerant is under the required amount, add in accordance with the other charging case stated below.

◆ Adding

Connect the refrigerant charging port at the lower pressure side to the refrigerant tank and install a manifold gage.

- (1) Circuit the chilled water and start up the unit.
- (2) Charge refrigerant vapor into the system slowly and check the suction and discharge pressure.

WARNING

- When performing the leakage and air tight test, never charge oxygen, acetylene and other flammable and toxic gases but only hi-pressure air, nitrogen or refrigerant.
- Mineral scale on the surface of the heat exchanger will affect the heat exchanging efficiency and increase the water resistance and lower the refrigeration capacity. Therefore, it should be cleared away through dilute acid. Note that contents of different water quality vary and should be treated with different type of acid by the qualified chemical company.

7.11 Removal of the compressor

Please take the steps below when the compressor is required to be removed.

- (1) Cut off the power supply.
- (2) Recover the refrigerant in a reasonable speed to prevent oil from being drawn out.
- (3) Remove the power supply line and the temperature sensor.
- (4) Unsolder the soldering spots of the suction and discharge lines.
- (5) Remove the screw bolts of the compressor and check the oil quality and accumulator.
- (6) Remove the compressor.
- (7) Clean up the pipeline.

7.12 Freeze protection

When the flow passage of the shell-and-tube heat exchanger is frozen up, it would cause serious damage to the heat exchanger, such as cracking and leakage which are out of warranty, therefore, the user should take measures stated below for freeze protection:

- (1) In order to make sure the unit can automatically perform defrosting under low temperature, the water pump must be interlocked with the unit.
- (2) Under subzero condition, when the unit is required to perform cooling, anti-freeze liquid should be added into the water system based on the table below.
- (3) Under subzero condition, when the unit is not required to perform cooling for a short term, the unit should be powered on; when the unit is not required to perform cooling for quite a long term, disconnect the power supply and then drain the shell and tube completely.

Thermal and physical properties of the glycol solution		
Quality concentration	Initial freezing temperature	Density
16	-7	1020
19.8	-10	1025
23.6	-13	1030
27.4	-15	1035
31.2	-17	1040
35	-21	1045
38.8	-26	1050
42.6	-29	1055
46.4	-33	1060

Notes:

- (a) This table is cited from *Design Manual for Practical Refrigeration Engineering* published by China Architecture Industry Press. If physical data of the glycol has been provided by the manufacturer, it always prevails.
- (b) Once the glycol is taken as the second refrigerant, its initial freezing temperature of the glycol solution should be 2~3°C lower than the lowest environment temperature.

7.13 Routine maintenance

Routine maintenance shall be performed periodically by the qualified technician so as to extend the service life of the unit and lower the possibility of occurrence of faults. Record weekly the running status of the unit to facilitate troubleshooting for the servicemen.

■ Daily Maintenance

- (1) Check the circulating water pump and the flow rate.
- (2) Check the voltage and power supply.

■ Weekly Maintenance

- (1) Check the main unit, like if the compressor runs with abnormal noise, if the distribution box is attached securely and if the pipeline generates abnormal vibration or leakage.
- (2) Record key parameters, like pressure, pressure etc.

■ Quarterly Maintenance

- (1) Check the electric wiring and electric insulation.
- (2) Check and adjust the set point of the temperature.

■ Yearly Maintenance

- (1) Check valves and pipeline of the water system. If necessary, clean the filter and analyze the water quality. If the water circuit needs to be cleaned, please consult the assistance of the qualified personnel.
- (2) Clean the corrosive surface and paint it again, and check if the door of the electric control cabinet is tightly closed.
- (3) Check if the pipeline is secured and so the water pump and fittings. Additionally, check if the refrigerant charge is sufficient, if not, add some.
- (4) Perform the items for weekly maintenance.
- (5) Check if the control device is set and acts properly.
- (6) Check if the refrigerant pipe is attached securely.
- (7) Check if the refrigerant pipe is attached securely.

7.14 Precautions

- (1) Take periodic maintenance to the unit to guarantee normal operation.
- (2) Once refrigerant leaks, shut down the unit immediately and contact the serviceman. No open fire is allowed in that refrigerant will decompose into toxic gas.
- (3) Switch off the main power supply in case of a fire hazard and extinguish it with effective measures.
- (4) The working environment shall be far away from the inflammable substance, such as petroleum and alcoholic etc. to avoid explosion.
- (5) The unit is allowed restarted only after any malfunction is eliminated, otherwise refrigerant or chilled water would leak, in which case, it is imperative to turn off all switches or the main power supply.
- (6) Do not short-circuit the protection device, otherwise it would cause some malfunction.

■ The credentials of qualified service personnel

– Any person who is involved with working on or breaking into a refrigerant circuit should hold a current valid certificate from an industry-accredited assessment authority, which authorises their competence to handle refrigerants safely in accordance with an industry recognised assessment specification.

– Servicing shall only be performed as recommended by the equipment manufacturer. Maintenance and repair requiring the assistance of other skilled personnel shall be carried out under the supervision of the person competent in the use of flammable refrigerants.

■ Checks to the area

Prior to beginning work on systems containing flammable refrigerants, safety checks are necessary to ensure that the risk of ignition is minimised. For repair to the refrigerating system, the following precautions shall be complied with prior to conducting work on the system.

■ Work procedure

Work shall be undertaken under a controlled procedure so as to minimise the risk of a flammable gas or vapour being present while the work is being performed.

■ General work area

All maintenance staff and others working in the local area shall be instructed on the nature of work being carried out. Work in confined spaces shall be avoided. The area around the workspace shall be sectioned off. Ensure that the conditions within the area have been made safe by control of flammable material.

■ Checks on refrigerant

The area shall be checked with an appropriate refrigerant detector prior to and during work, to ensure the technician is aware of potentially flammable atmospheres. Ensure that the leak detection equipment being used is suitable for use with flammable refrigerants.

■ Presence of fire extinguisher

If any hot work is to be conducted on the refrigeration equipment or any associated parts, appropriate fire extinguishing equipment shall be available to hand. Have a dry powder or CO₂ fire extinguisher adjacent to the charging area.

■ No ignition sources

No person carrying out work in relation to a refrigeration system which involves exposing any pipe work that contains or has contained flammable refrigerant shall use any sources of ignition in such a manner that it may lead to the risk of fire or explosion. All possible ignition sources, including cigarette smoking, should be kept sufficiently far away from the site of installation, repairing, removing and disposal, during which flammable refrigerant can possibly be released to the surrounding space. Prior to work taking place, the area around the equipment is to be surveyed to make sure that there are no flammable hazards or ignition risks. "No Smoking" signs shall be displayed.

■ Ventilated area

Ensure that the area is in the open or that it is adequately ventilated before breaking into the system or conducting any hot work. A degree of ventilation shall continue during the period that the work is carried out. The ventilation should safely disperse any released refrigerant and preferably expel it externally into the atmosphere.

■ Checks on the refrigeration equipment

Where electrical components are being changed, they shall be fit for the purpose and to the correct specification. At all times the manufacturer's maintenance and service guidelines shall be followed. If in doubt consult the manufacturer's technical department for assistance.

The following checks shall be applied to installations using flammable refrigerants:

- (1) The charge size is in accordance with the room size within which the refrigerant containing parts are installed;
- (2) The ventilation machinery and outlets are operating adequately and are not obstructed;
- (3) If an indirect refrigerating circuit is being used, the secondary circuit shall be checked for the presence of refrigerant;
- (4) Marks of the equipment continue to be visible and legible. Markings and signs that are illegible shall be corrected;
- (5) Refrigeration pipe or components are installed in a position where they are unlikely to be exposed to any substance which may corrode refrigerant containing components, unless the components are constructed of materials which are inherently resistant to being corroded or are suitably protected against being so corroded.

- Checks on electrical devices

Repair and maintenance to electrical components shall include initial safety checks and component inspection procedures. If a fault exists that could compromise safety, then no electrical supply shall be connected to the circuit until it is satisfactorily dealt with. If the fault cannot be corrected immediately but it is necessary to continue operation, an adequate temporary solution shall be used. This shall be reported to the owner of the equipment so all parties are advised.

Initial safety checks shall include:

- (1) that capacitors are discharged: this shall be done in a safe manner to avoid possibility of sparking.
- (2) that no live electrical components and wiring are exposed while charging, recovering or purging the system.
- (3) that there is continuity of earth bonding.

- Repairs to sealed components

During repairs to sealed components, all electrical supplies shall be disconnected from the equipment being worked upon prior to any removal of sealed covers, etc. If it is absolutely necessary to have an electrical supply to equipment during servicing, then a permanently operating form of leak detection shall be located at the most critical point to warn of a potentially hazardous situation.

Particular attention shall be paid to the following to ensure that by working on electrical components, the casing is not altered in such a way that the level of protection is affected. This shall include damage to cables, excessive number of connections, terminals not made to original specification, damage to seals, incorrect fitting of glands, etc.

Ensure that apparatus is mounted securely.

Ensure that seals or sealing materials have not degraded such that they no longer serve the purpose of preventing the ingress of flammable atmospheres. Replacement parts shall be in accordance with the manufacturer's specifications.

 **NOTE**

The use of silicon sealant may inhibit the effectiveness of some types of leak detection equipment. Intrinsically safe components do not have to be isolated prior to working on them.

- Repair to intrinsically safe components

Do not apply any permanent inductive or capacitance loads to the circuit without ensuring that this will not exceed the permissible voltage and current permitted for the equipment in use.

Intrinsically safe components are the only types that can be worked on while live in the presence of a flammable atmosphere. The test apparatus shall be at the correct rating.

Replace components only with parts specified by the manufacturer. Other parts may result in the ignition of refrigerant in the atmosphere from a leak.

- Cabling

Check that cabling will not be subject to wear, corrosion, excessive pressure, vibration, sharp edges or any other adverse environmental effects. The check shall also take into account the effects of ageing or continual vibration from sources such as compressors or fans.

- Detection of flammable refrigerants

Under no circumstances shall potential sources of ignition be used in the searching for or detection of refrigerant leaks. A halide torch (or any other detector using a naked flame) shall not be used.

■ Leak detection methods

The following leak detection methods are deemed acceptable for systems containing flammable refrigerants.

Electronic leak detectors shall be used to detect flammable refrigerants, but the sensitivity may not be adequate, or may need re-calibration. (Detection equipment shall be calibrated in a refrigerant-free area.) Ensure that the detector is not a potential source of ignition and is suitable for the refrigerant used. Leak detection equipment shall be set at a percentage of the LFL of the refrigerant and shall be calibrated to the refrigerant employed and the appropriate percentage of gas (25 % maximum) is confirmed.

Leak detection fluids are suitable for use with most refrigerants but the use of detergents containing chlorine shall be avoided as the chlorine may react with the refrigerant and corrode the copper pipe-work.

If a leak is suspected, all naked flames shall be removed or extinguished.

If a leakage of refrigerant is found which requires brazing, all of the refrigerant shall be recovered from the system, or isolated (by means of shut off valves) in a part of the system remote from the leak. Oxygen free nitrogen (OFN) shall then be purged through the system both before and during the brazing process.

■ Removal and evacuation

When breaking into the refrigerant circuit to make repairs – or for any other purpose – conventional procedures shall be used. However, it is important that best practice is followed since flammability is a consideration. The following procedure shall be adhered to:

- remove refrigerant;
- purge the circuit with inert gas;
- evacuate;
- purge again with inert gas;
- open the circuit by cutting or brazing.

The refrigerant charge shall be recovered into the correct recovery cylinders. The system shall be “flushed” with OFN to render the unit safe. This process may need to be repeated several times. Compressed air or oxygen shall not be used for this task.

Flushing shall be achieved by breaking the vacuum in the system with OFN and continuing to fill until the working pressure is achieved, then venting to atmosphere, and finally pulling down to a vacuum. This process shall be repeated until no refrigerant is within the system. When the final OFN charge is used, the system shall be vented down to atmospheric pressure to enable work to take place. This operation is absolutely vital if brazing operations on the pipework are to take place.

Ensure that the outlet for the vacuum pump is not close to any ignition sources and there is ventilation available.

■ Charging procedures

In addition to conventional charging procedures, the following requirements shall be followed.

- (1) Ensure that contamination of different refrigerants does not occur when using charging equipment.
Hoses or lines shall be as short as possible to minimise the amount of refrigerant contained in them.
- (2) Cylinders shall be kept upright.
- (3) Ensure that the refrigeration system is earthed prior to charging the system with refrigerant.
- (4) Label the system when charging is complete (if not already).

(5) Extreme care shall be taken not to overfill the refrigeration system.

Prior to recharging the system it shall be pressure tested with OFN. The system shall be leak tested on completion of charging but prior to commissioning. A follow up leak test shall be carried out prior to leaving the site.

■ Decommissioning

Before carrying out this procedure, it is essential that the technician is completely familiar with the equipment and all its detail. It is recommended good practice that all refrigerants are recovered safely. Prior to the task being carried out, an oil and refrigerant sample shall be taken in case analysis is required prior to re-use of reclaimed refrigerant. It is essential that electrical power is available before the task is commenced.

(1) Become familiar with the equipment and its operation.

(2) Isolate system electrically.

(3) Before attempting the procedure ensure that:

- 1) Mechanical handling equipment is available, if required, for handling refrigerant cylinders;
- 2) All personal protective equipment is available and being used correctly;
- 3) The recovery process is supervised at all times by a competent person;
- 4) Recovery equipment and cylinders conform to the appropriate standards.

(4) Pump down refrigerant system, if possible.

(5) If a vacuum is not possible, make a manifold so that refrigerant can be removed from various parts of the system.

(6) Make sure that cylinder is situated on the scales before recovery takes place.

(7) Start the recovery machine and operate in accordance with manufacturer's instructions.

(8) Do not overfill cylinders (with no more than 80 % volume liquid charge).

(9) Do not exceed the maximum working pressure of the cylinder, even temporarily.

(10) When the cylinders have been filled correctly and the process completed, make sure that the cylinders and the equipment are removed from site promptly and all isolation valves on the equipment are closed off.

(11) Recovered refrigerant shall not be charged into another refrigeration system unless it has been cleaned and checked.

■ Labelling

Equipment shall be labelled stating that it has been de-commissioned and emptied of refrigerant. The label shall be dated and signed. Ensure that there are labels on the equipment stating the equipment contains flammable refrigerant.

■ Recovery

When removing refrigerant from a system, either for servicing or decommissioning, it is recommended good practice that all refrigerants are removed safely.

When transferring refrigerant into cylinders, ensure that only appropriate refrigerant recovery cylinders are employed. Ensure that the correct number of cylinders for holding the total system charge is available. All cylinders to be used are designated for the recovered refrigerant and labelled for that refrigerant (i.e. special cylinders for the recovery of refrigerant). Cylinders shall be complete with pressure relief valve and associated shut-off valves in good working order. Empty recovery cylinders are evacuated and, if possible, cooled before recovery occurs.

The recovery equipment shall be in good working order with a set of instructions concerning the equipment that is at hand and shall be suitable for the recovery of flammable refrigerants. In addition, a set of calibrated weighing scales shall be available and in good working order. Hoses shall be complete with leak-free disconnect couplings and in good condition. Before using the recovery machine, check that it is in satisfactory working order, has been properly maintained and that any associated electrical components are sealed to prevent ignition in the event of a refrigerant release. Consult manufacturer if in doubt.

The recovered refrigerant shall be returned to the refrigerant supplier in the correct recovery cylinder, and the relevant Waste Transfer Note arranged. Do not mix refrigerants in recovery units and especially not in cylinders.

If compressors or compressor oils are to be removed, ensure that they have been evacuated to an acceptable level to make certain that flammable refrigerant does not remain within the lubricant. The evacuation process shall be carried out prior to returning the compressor to the suppliers. Only electric heating to the compressor body shall be employed to accelerate this process. When oil is drained from a system, it shall be carried out safely.

8 Troubleshooting and after-sales service

8.1 Troubleshooting measures

Symptoms	Probable causes	Recommended action
Shutdown against high pressure protection of the compressor	<ol style="list-style-type: none"> 1. Incomplete vacuuming. 2. Too high environment temperature. 3. Condenser fins are dirty and there are blockages. 4. Inadequate condensing air flow and the condenser fan failed. 5. Failed high pressure cutoff. 6. Overcharged refrigerant. 	<ol style="list-style-type: none"> 1. Re-vacuum the system and recharge refrigerant. 2. Improve ventilation. 3. Clean condenser fins. 4. Repair the condenser fan. 5. Check the high pressure switch. 6. Check the refrigerant charge and discharge some refrigerant.
Shutdown against overloading of the compressor motor	<ol style="list-style-type: none"> 1. The voltage is too high or too low. 2. The discharge pressure is too high or too low. 3. The return water temperature is too high. 4. The overloaded element is faulty. 5. The environment temperature is too high. 6. There is phase loss for the compressor. 7. The compressor motor is short-circuited. 	<ol style="list-style-type: none"> 1. Check if the voltage is or no less than 80% and the phase difference does not exceed $\pm 30\%$. 2. Check discharge pressure and find out causes. 3. Check return water temperature and find out causes. 4. Check the compressor current. 5. Improve ventilation. 6. Check the three phase resistances.

Symptoms	Probable causes	Recommended action
Shutdown against low pressure protection of the compressor	<ol style="list-style-type: none"> 1. The electrostatic expansion valve is faulty. 2. The low pressure cutoff is faulty. 3. Refrigerant is insufficient. 4. The entering chilled water temperature is 5°C lower than the rated. 5. The chilled water flow is too low. 	<ol style="list-style-type: none"> 1. Replace the coils or even the valve body. 2. Check the low pressure cutoff. 3. Check and charge refrigerant. 4. Check if the chilled water is down-temperature. 5. Adjust the chilled water flow.
Failed startup of the compressor	<ol style="list-style-type: none"> 1. The overcurrent relay tripped off and the fuse was burnt out. 2. The control circuit was open. 3. There is no current. 4. Low/high pressure protection. 5. The contact coils is burnt out. 6. The water flow is cut off. 7. The wireless controller raised the alarm signal. ON/ OFF time setting by the wireless controller is incorrect. 8. The sensed temperature exceeded the rated. 	<ol style="list-style-type: none"> 1. Replace it. 2. Check wiring of the control system. 3. Check the power supply. 4. See corresponding statement above. 5. Replace it. 6. Check the water system. 7. Check the alarm type and take corresponding corrective measure. 8. Check and reset it.
Temperature sensor protection	<ol style="list-style-type: none"> 1. The bulb plug and the main board plug were connected incorrectly. 2. The temperature bulb was damaged. 3. The main board was damaged. 	<ol style="list-style-type: none"> 1. Check if the bulb plug was connected to the correct main board plug. 2. Replace it.
Pressure transducer error	<ol style="list-style-type: none"> 1. The pressure sensor is open-circuited. 2. The pressure sensor is short-circuited. 3. The pressure sensor is damaged. 	<ol style="list-style-type: none"> 1. Check the circuit of the pressure sensor. 2. Replace it.
Flow switch protection	<ol style="list-style-type: none"> 1. The water pump has not started. 2. The water flow is too low. 3. The water flow switch was damaged. 4. There was air inside the water system. 	<ol style="list-style-type: none"> 1. Start the water pump. 2. Adjust the water flow. 3. Adjust the water flow. 4. Dispel air inside the water system.
Protection against the failed 4-way valve	<ol style="list-style-type: none"> 1. The entering and leaving water temperature sensor fell off or installed incorrectly. 2. The 4-way valve was damaged. 	<ol style="list-style-type: none"> 1. Check if the entering and leaving water temperature sensors were installed correctly and if silica gel at the probe for heat conduction was applied properly. 2. Replace it.
Protection against the failed compressor IPM module	<ol style="list-style-type: none"> 1. The voltage suddenly dropped. 2. The compressor drive board was damaged. 	<ol style="list-style-type: none"> 1. Check if it occurred before protection. 2. Replace it.

Symptoms	Probable causes	Recommended action
Failed discharge temperature sensor	<ol style="list-style-type: none"> 1. Too low water temperature. 2. The discharge temperature sensor fell off. 	<ol style="list-style-type: none"> 1. Decrease the load to improve the water temperature. 2. Check if the discharge temperature sensor installed correctly.

8.2 After-sales service

When the unit in warranty has a quality issue or fails to operate properly under the allowable operation condition, please contact the local sales representative for free service.

The user is required to designate personnel to take charge of the unit following the instructions covered in this manual, otherwise any maintenance cost caused by the improper operation will be at the user's expense.

Appendix A: Inspection records prior to commissioning

Installation	LocationM		in. distance from barriers		>2m (Ref.)	
	Foundation (concrete/steel frame)		Shock absorber			
Routine check	ArrangementH		Highest point and lowest point		>3m (Ref.)	
	Chilled water pipeline	Water pump flow	Shutoff valve (On/Off)	Drain valve (On/Off)	Filter (On/Off)	Air release valve (On/Off)
			Inlet	Outlet		
		Pressure gauge	Thermometer	Flow switch	Insulation state	Shutoff valve state
	Load	Inlet	Outlet			
		FCU	Air supply outlet	Air discharge state	Air conditioning space insulation state	Refrigeration load state
	Power supply	Supply voltage (V)	Allowable range 380~415V		Voltage fluctuation %	Allowable value <5%
		Interphase insulation resistance MΩ		Phase-ground insulation resistance MΩ		
		Rab	Rbc	Rac	Rag	Rbg
	Insulation of the whole unit (main air switch)	Interphase insulation resistance MΩ		Phase-ground insulation resistance MΩ		
R12		R23	R13	R1g	R2g	R3g
Insulation of the compressor (terminal block)	Interphase insulation resistance MΩ		Phase-ground insulation resistance MΩ			
	R12	R23	R13	R1g	R2g	R3g
Refrigeration system	Repair brazing		Vacuuming (MPa)	Max. allowable value	0.0080MPaD	duration (min)
	System I balance pressure(Mpa)		System II balance pressure (MPa)			Ambient temp (°C)
	Power supply monitor (3Ph)	SetpointS	Leaving water temp (°C)	Vacuuming stop time		
Control and protection devices	SetpointS	SetpointD	Setpoint			
	380~415V		5s			

Appendix B: Trial run and commissioning records

		Water system		Direction		Water temp		Sufficient air discharge (Y/N)		
		Flow rate (T/h)	90% flow rate	Flow rate (T/h)	90% flow rate	Water temp	Water temp	Full load (Y/N)	Ambient temp (°C)	
Trial run	Pre-start	Start current (A)		Startup state (normal/abnormal)						
	10min after startup	System I	Hi-pressure	Low-pressure	Chilled water (°C)		Entering		Entering	
		System II			Entering air temp .		Leaving		Leaving	
	30min after startup	System I	Hi-pressure	Low-pressure	Chilled water (°C)		Entering		Entering	
		System II					Leaving		Leaving	
	Running state									
	Troubleshooting									
	Commissioning	Flow control	Final flow rate (T/h)		Entering water temp (°C)		Nominal value: 12/7 °C			
		Unloading state	System I leaving water temp at shutdown (°C)	1st downtime (min)	Leaving water temp at 2nd startup (°C)		2nd downtime (s)			
			System II leaving water temp at shutdown (°C)	Runtime (s)	Vacuuming time (s)		5s			
Unloading state		System I leaving water temp at shutdown (°C)	1st downtime (min)	Leaving water temp at 2nd startup (°C)		2nd downtime (s)				
		System II leaving water temp at shutdown (°C)	Runtime (s)	Vacuuming time (s)		5s				
Operation training		Precautions		Emergency stop		Special service				
Conclusion										

